

***GENERAL**
 HOISTWAY - THE HOISTWAY MUST BE IN ACCORDANCE WITH ALL STATE AND LOCAL CODES.
 PLUMB HOISTWAY- DUE TO CLOSE RUNNING CLEARANCES OWNER/AGENT MUST ENSURE THAT HOISTWAY AND PIT (WHERE PROVIDED) ARE LEVEL, PLUMB AND SQUARE AND ARE IN ACCORDANCE WITH THE DIMENSIONS ON THESE DRAWINGS.
 MINIMUM OVERHEAD CLEARANCE- OWNER/AGENT MUST ENSURE MINIMUM OVERHEAD CLEARANCE IS IN COMPLIANCE WITH CODES.
 CONSTRUCTION SITE- OWNER/AGENT TO PROVIDE ALL MASONRY, CARPENTRY AND DRYWALL WORK AS REQUIRED AND SHALL PATCH AND MAKE GOOD (INCLUDING FINISH PAINTING) ALL AREAS WHERE WALLS/FLOORS MAY REQUIRE TO BE CUT, DRILLED OR ALTERED IN ANY WAY TO PERMIT THE PROPER INSTALLATION OF THE LIFT.
 DIMENSIONS- CONTRACTOR/CUSTOMER TO VERIFY ALL DIMENSIONS AND REPORT ANY DISCREPANCIES TO OUR OFFICE IMMEDIATELY.
***STRUCTURAL**
 FLOOR/SUPPORT WALL LOADS- STRUCTURE TO ANCHOR A CRANK SHAFT AND SAFETY HARNESS, WHERE APPLICABLE/NEEDED, TO BE PROVIDED BY CONTRACTOR. CONTRACTOR TO ASSURE THAT BUILDING AND SHAFT WILL SAFELY SUPPORT ALL LOADS IMPOSED BY THE LIFT EQUIPMENT. REFER TO THE TABLES ON THIS DRAWING FOR LOADS IMPOSED BY THE EQUIPMENT.
***MACHINE ROOM (WHERE REQUIRED)**
 LOCATION / ACCESS- MACHINE ROOM LOCATED AT THE LOWEST LEVEL ADJACENT TO HOISTWAY, UNLESS SHOWN OTHERWISE ON THE PROVIDED DRAWINGS. FIELD ADJUSTMENT BRINSFELLER MUST BE MESSAGING. FIELD ADJUSTMENT BRINSFELLER MUST BE MESSAGING. MACHINE ROOM MUST BE CONCRETE AND 4" TO 6" THICK. THE REQUIREMENTS OF THE AUTHORITY HAVING JURISDICTION SLEEVES FOR ELECTRICAL LINES FROM MACHINE ROOM TO HOISTWAY AS REQUIRED. CONSULT PER INSTALLERS INSTRUCTIONS.

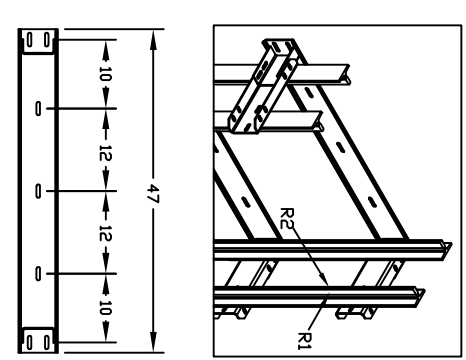
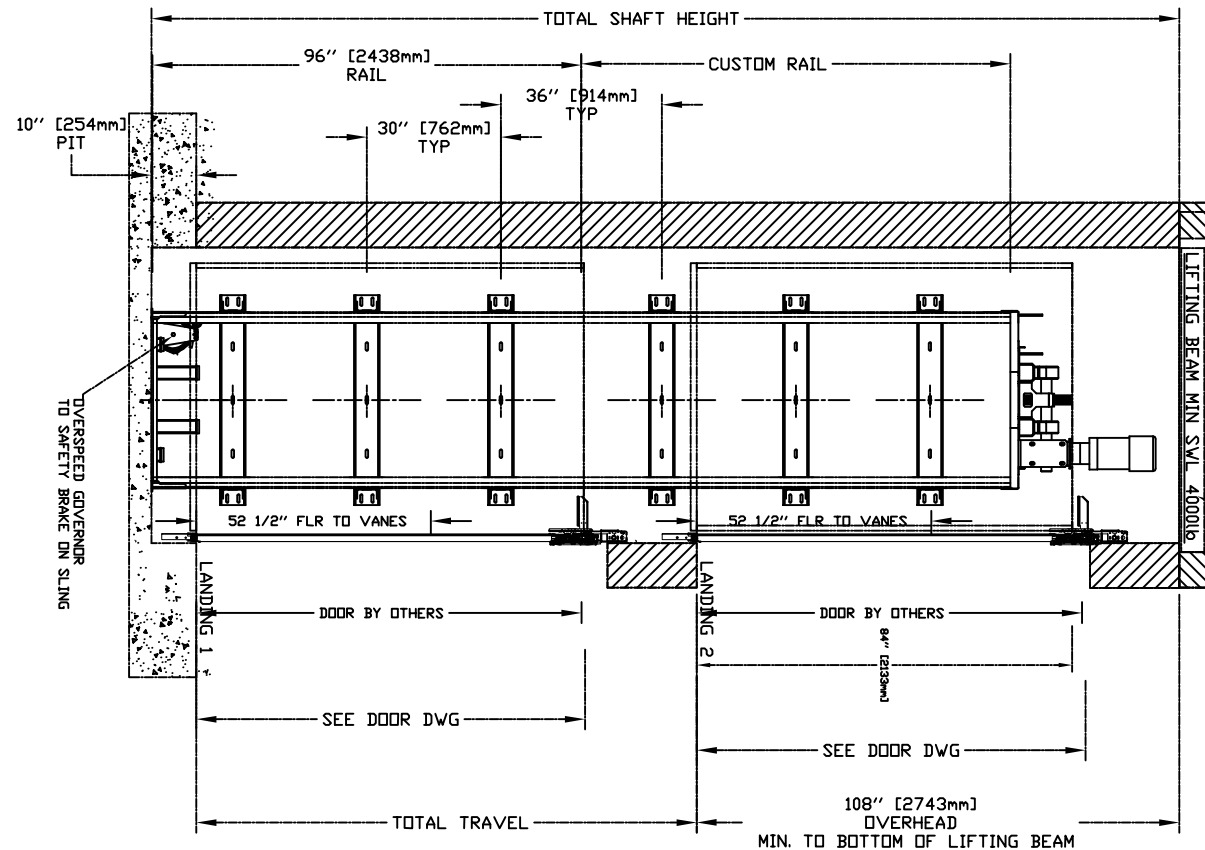
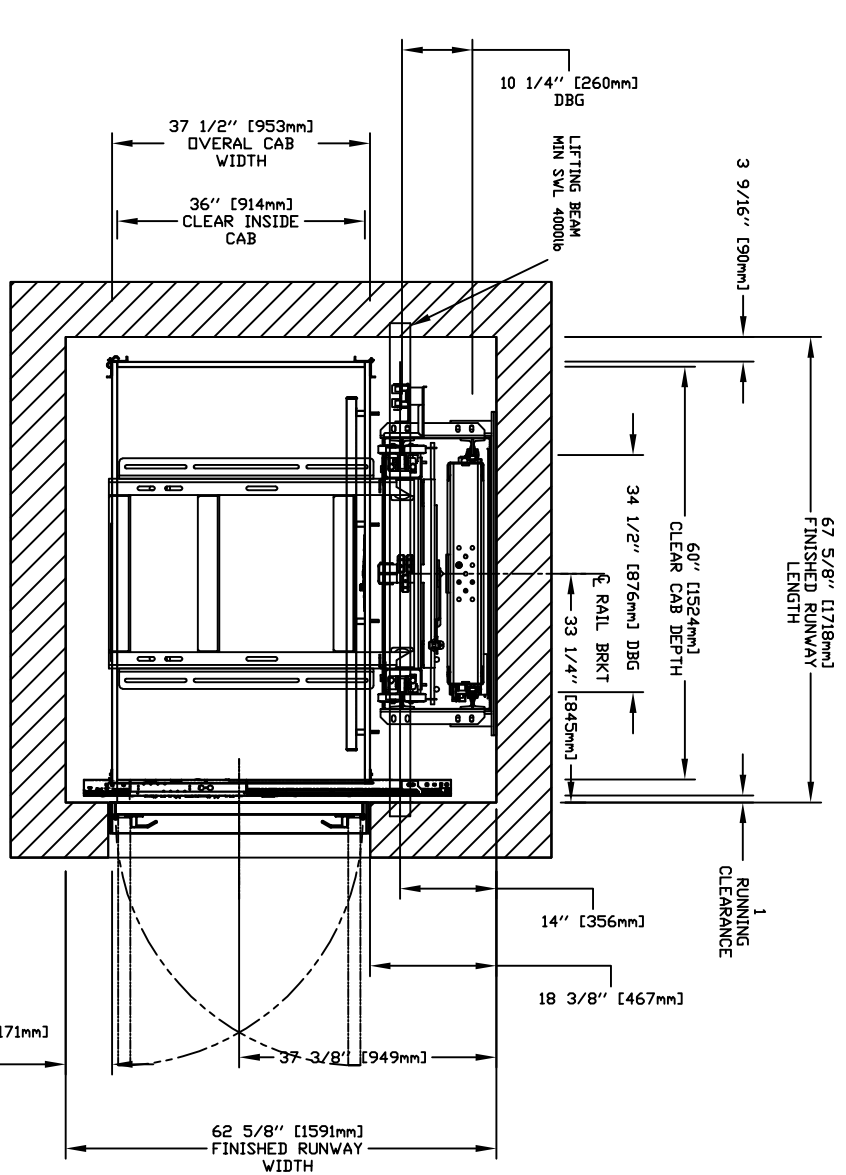


TABLE 1
RAIL FORCES

*R1	*R2
500 lbf	1570 lbf
RAIL WEIGHT 1 80 lbs / ft	

FOR TOTAL PULL-OUT FORCE ON RAIL BRACKET, 902 x 750 = 1440 lbf
 FOR LOCAL APPLICATION OF PIT LOAD, R1 MUST BE DOUBLED.

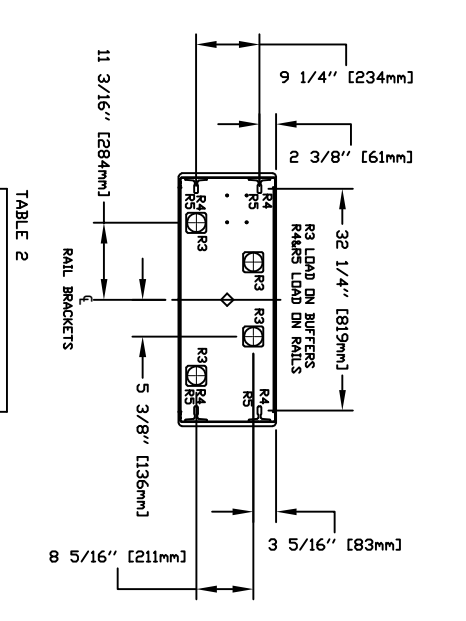
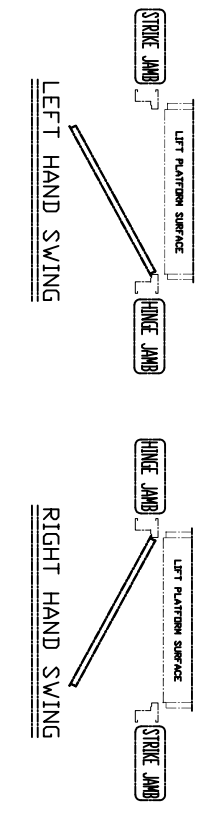


TABLE 2
PIT RE-ACTION FORCE

R3	8000 LBS
R4	3000 LBS
R5	9500 LBS



***ENTRANCES**
 FASCIA PANEL BELOW UPPER LEVEL ENTRANCE, WHERE REQUIRED, FASCIA PANEL MUST BE FASTENED TO A SOLID WALL AND BE PERPENDICULAR TO THE FLOOR AND WALLS. HOISTWAY FASCIA IS NOT SELF-SUPPORTING FOR LONG, CONTINUOUS RUNS VOID OF ENTRANCES. ADEQUATE SUPPORT FOR THE FASCIA MUST BE PROVIDED.
NOTE: LIFTING BEAM
 A 4000LB MIN SWL BEAM MUST BE PROVIDED IN THE OVERHEAD BEAM TO BE POSITIONED AS SHOWN IN ELEVATION & PLAN VIEWS. FOR OVERHEAD OF 108" SUSPEND THE OVERSIDE OF BEAM AT 104" & BEAM MUST BE TEMPORARY.
NOTE: C
 ALL INFORMATION IS SUBJECT TO CHANGE. PLEASE REFERENCE OUR ON-LINE DRAWINGS AT WWW.SAVARIA.COM FOR THE MOST RECENT UPDATES

TABLE 3
DISCONNECT THE RELAY

SIZE	FUSE SIZE	VOLTS	PHASE	FIA
MOTOR & EQUIP	30 AMPS	208 volt	Three Phase	28.9 AMPS
CAB LIGHTS	15 AMPS	115 V	Single Phase	35.0 AMPS

RESIDENTIAL ELEVATOR
 ZENITH MODEL 36X60 TYPE 1R

CUSTOMER: _____
 PROJECT: _____
 LOCATION: _____

DATE: _____
 REVISION DATE: _____
 DRAWN BY: _____
 CHECKED BY: _____

THE INFORMATION DISCLOSED HEREIN IS THE EXCLUSIVE PROPERTY OF **savaria**
 AND MAY NOT BE USED BY OTHERS WITHOUT WRITTEN CONSENT

SHEET # 1/1