

PROVISIONS BY OTHERS

***GENERAL**
 HOISTWAY - THE HOISTWAY MUST BE IN ACCORDANCE WITH SAFETY CODE FOR ELEVATORS AND ESCALATORS (ASME A17.1) AND ALL STATUTE AND LOCAL CODES.
 PLUMB HOISTWAY - DUE TO CLOSE RUNNING CLEARANCES OVER/AGENT MUST ENSURE THAT HOISTWAY AND PIT (WHERE PROVIDED) ARE LEVEL, PLUMB AND SQUARE AND ARE IN ACCORDANCE WITH THE DIMENSIONS IN THESE DRAWINGS.
 MINIMUM OVERHEAD CLEARANCE - OVER/AGENT MUST ENSURE MINIMUM OVERHEAD CLEARANCE IS IN COMPLIANCE WITH CODES.
 CONSTRUCTION SITE - OVER/AGENT TO PROVIDE ALL MASONRY, CARPENTRY AND BRICK/VAULT WORK AS REQUIRED AND SHALL PATCH AND MAKE GOOD (INCLUDING FINISH PAINTING) ALL AREAS WHERE WALLS/FLOORS MAY REQUIRE TO BE CUT, DRILLED OR ALTERED IN ANY WAY TO PERMIT THE PROPER INSTALLATION OF THE LIFT.
***DIMENSIONS**
 CONTRACTOR/CUSTOMER TO VERIFY ALL DIMENSIONS AND REPORT ANY DISCREPANCIES TO OUR OFFICE IMMEDIATELY.

***STRUCTURAL**
 FLOOR/SUPPORT WALL LOADS - STRUCTURE TO ANCHOR A CRANK SHAFT AND SAFETY HARNESS, WHERE APPLICABLE/NEEDED, TO BE PROVIDED BY CONTRACTOR. CONTRACTOR TO ASSURE THAT BUILDING AND SHAFT WALL SAFELY SUPPORT ALL LOADS IMPOSED BY THE LIFT EQUIPMENT. REFER TO THE TABLES ON THIS DRAWING FOR LOADS IMPOSED BY THE EQUIPMENT.
***MACHINE ROOM (WHERE REQUIRED)**
 LOCATION / ACCESS - MACHINE ROOM LOCATED AT THE LOWEST LEVEL ADJACENT TO HOISTWAY, UNLESS SHOWN OTHERWISE ON THE LAYOUT DRAWINGS. FIELD ADJUSTMENT BY INSTALLER MAY BE NECESSARY TO MEET JOB SITE CONDITIONS OR REGULATIONS. MACHINE ROOM DOOR IS TO BE LOCKABLE AND IS TO MEET THE REQUIREMENTS OF THE AUTHORITY HAVING JURISDICTION. SLEEVES FOR ELECTRIC LINES - FROM MACHINE ROOM TO HOISTWAY AS REQUIRED. POSITION PER INSTALLER'S INSTRUCTIONS.

TABLE 3

DISCONNECT	THEIR RATING	VOLTS	PHASE	FLA
MOTOR & EQUIP	30 AMPS	208 volt	Three Phase	28.9 AMPS
MOTOR & EQUIP	60 AMPS	400 volt	Single Phase	35.0 AMPS
CAB LIGHTS	15 AMPS	115 V	Single Phase	

***ELECTRICAL**
 OVER SUPPLY - (SEE SPECIFICATIONS) LOCKABLE FUSED DISCONNECT WITH AUXILIARY CONTACT TO BREAK THE BATTERY FEED, OR CIRCUIT BREAKERS WITH A 3-POLE BREAKER FOR BATTERY FEED REQUIRED. IN COMPLIANCE WITH ELECTRICAL CODE, NO TOLLER'S (LOCATED ON WALL OR LOCK CHAMBER SIDE OF MACHINE ROOM DOOR) PERMANENT POWER - BEFORE INSTALLATION CAN BEGIN, PERMANENT POWER MUST BE SUPPLIED.
 LIGHTING - THE ILLUMINATION SHALL BE NOT LESS THAN 200 LX (19 Fc) AT THE FLOOR LEVEL IN ALL MACHINE ROOMS AND MACHINERY SPACES. ENSURE AT LEAST 100 LX (10 Fc) AMBIENT LIGHTING OVER LIFT AREA. PHONE - NEED A DEDICATED PHONE LAND LINE.

***ENTRANCES**
 FASCIA PANEL, BELOW UPPER LEVEL ENTRANCE - WHERE REQUIRED, FASCIA PANEL MUST BE FASTENED TO A SOLID WALL AND BE PERPENDICULAR TO THE FLOOR AND WALLS. HOISTWAY FASCIA IS NOT SELF-SUPPORTING FOR LONG, CONTINUOUS RUNS VOID OF ENTRANCES. ADEQUATE SUPPORT FOR THE FASCIA MUST BE PROVIDED.

NOTE
 A 4000LB MIN SWL BEAM MUST BE PROVIDED IN THE OVERHEAD BEAM TO BE POSITIONED AS SHOWN IN ELEVATION & PLAN VIEWS. FOR OVERHEAD OF 108" MIN SWL BEAM AT 104" & BEAM MUST BE TEMPORARY.

NOTE C
 ALL INFORMATION IS SUBJECT TO CHANGE. PLEASE REFERENCE OUR ON-LINE DRAWINGS AT WWW.SAVARIA.COM FOR THE MOST RECENT UPDATES

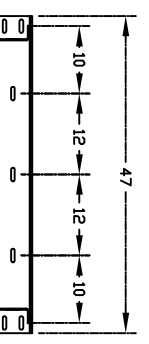
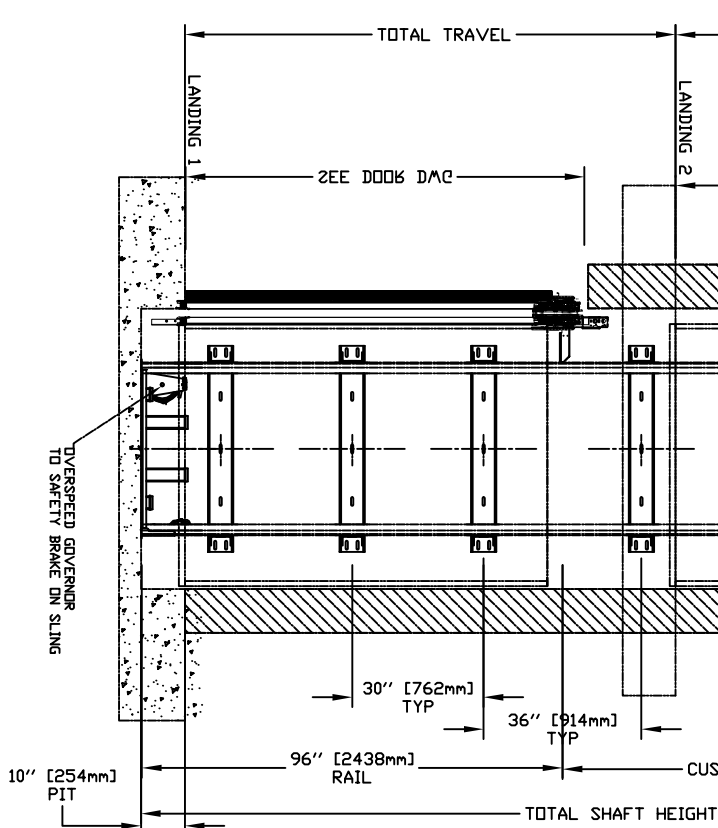
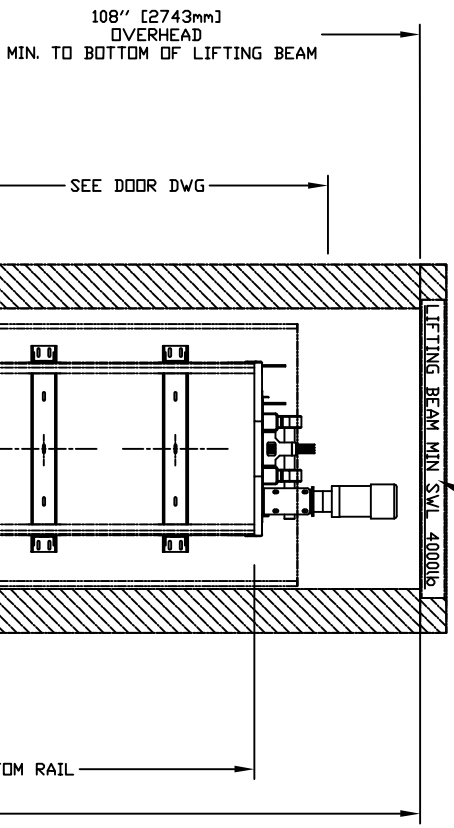
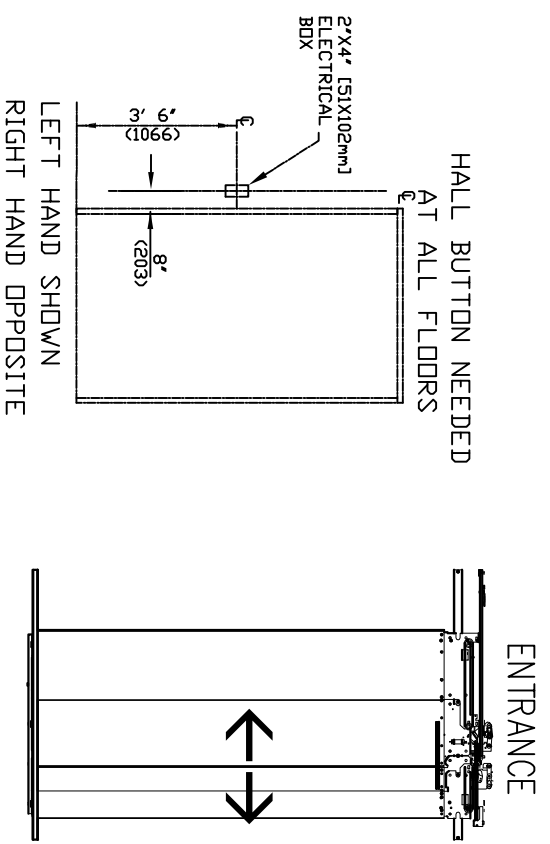
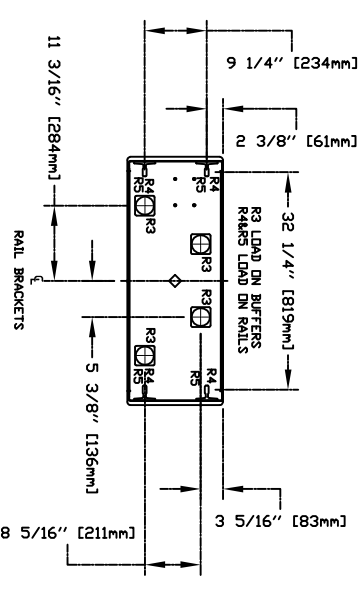


TABLE 1

RAIL FORCES
*R1
*R2
500 lbf 1570 lbf
RAIL WEIGHT 80 lbs / ft

TABLE 2

PIT RE-ACTION FORCE
R3
R4
R5
8000 LBS
3000 LBS
9500 LBS



FOR TOTAL PULL-OUT FORCE ON RAIL BRACKET, 6g2 x 750 = 1440 lbf FOR LOCAL APPLICATION OF PIT LOAD, R1 MUST BE DOUBLED.

RESIDENTIAL ELEVATOR
 ZENITH MODEL 36X54 TYPE 4

CUSTOMER: _____ DATE: _____
 PROJECT: _____ REVISION DATE: _____
 LOCATION: _____ CONTRACTOR: _____
 AND MAY NOT BE USED BY OTHERS WITHOUT PRIOR WRITTEN CONSENT

savaria

SHEET # 1/1