

*GENERAL
 HOISTWAY - THE HOISTWAY MUST BE IN ACCORDANCE WITH "SAFETY CODE FOR ELEVATORS AND ESCALATORS" (ASME A17.1) AND ALL STATE AND LOCAL CODES.
 PLUMB HOISTWAY- DUE TO CLOSE RUNNING CLEARANCES OWNER/AGENT MUST ENSURE THAT HOISTWAY AND PIT (WHERE PROVIDED) ARE LEVEL, PLUMB AND SQUARE AND ARE IN ACCORDANCE WITH THE DIMENSIONS ON THESE DRAWINGS.
 MINIMUM OVERHEAD CLEARANCE- OWNER/AGENT MUST ENSURE MINIMUM OVERHEAD CLEARANCE IS IN COMPLIANCE WITH CODES.
 CONSTRUCTION SITE- OWNER/AGENT TO PROVIDE ALL MASONRY, CARPENTRY AND DRYWALL WORK AS REQUIRED AND SHALL PATCH AND MAKE GOOD INCLUDING FINISH PAINTING ALL AREAS WHERE WALLS/FLOORS MAY REQUIRE TO BE CUT, DRILLED OR ALTERED IN ANY WAY TO PERMIT THE PROPER INSTALLATION OF THE LIFT.
 DIMENSIONS- CONTRACTOR/CUSTOMER TO VERIFY ALL DIMENSIONS AND REPORT ANY DISCREPANCIES TO OUR OFFICE IMMEDIATELY.
 *STRUCTURAL
 FLOOR/SUPPORT WALL LOADS- STRUCTURE TO ANCHOR A CRANK SHAFT AND SAFETY HARNESS, WHERE APPLICABLE/NEEDED, TO BE PROVIDED BY CONTRACTOR. CONTRACTOR TO ASSURE THAT BUILDING AND SHAFT WILL SAFELY SUPPORT ALL LOADS IMPOSED BY THE LIFT EQUIPMENT. REFER TO THE TABLES ON THIS DRAWING FOR LOADS IMPOSED BY THE EQUIPMENT.
 *MACHINE ROOM (WHERE REQUIRED)
 LOCATION / ACCESS- MACHINE ROOM LOCATED AT THE LOWEST LEVEL ADJACENT TO HOISTWAY, UNLESS SHOWN OTHERWISE ON THE PROVIDED DRAWINGS. FIELD ADJUSTMENT BRINSFELLER MUST BE PERMITTED TO FIELD ADJUST THE MACHINE ROOM TO MEET THE REQUIREMENTS OF THE AUTHORITY HAVING JURISDICTION. SLEEVES FOR ELECTRICAL LINES FROM MACHINE ROOM TO HOISTWAY AS REQUIRED. CONSULT PER INSTALLERS INSTRUCTIONS.
 TABLE 3

DISCONNECT THE RELAY	VOLTS	PHASE	FUA
MOTOR & EQUIP 30 AMPS 208 volt	Three Phase		28.9 AMPS
MOTOR & EQUIP 40 AMPS 230 volt	Single Phase		35.0 AMPS
CAB LIGHTS 15 AMPS 115 V	Single Phase		

TABLE 3

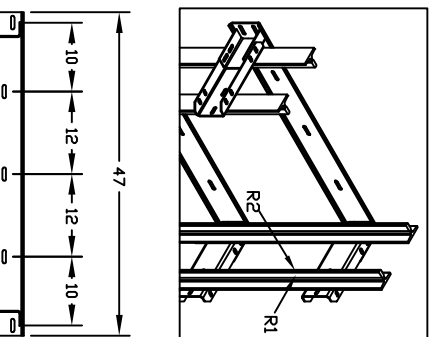
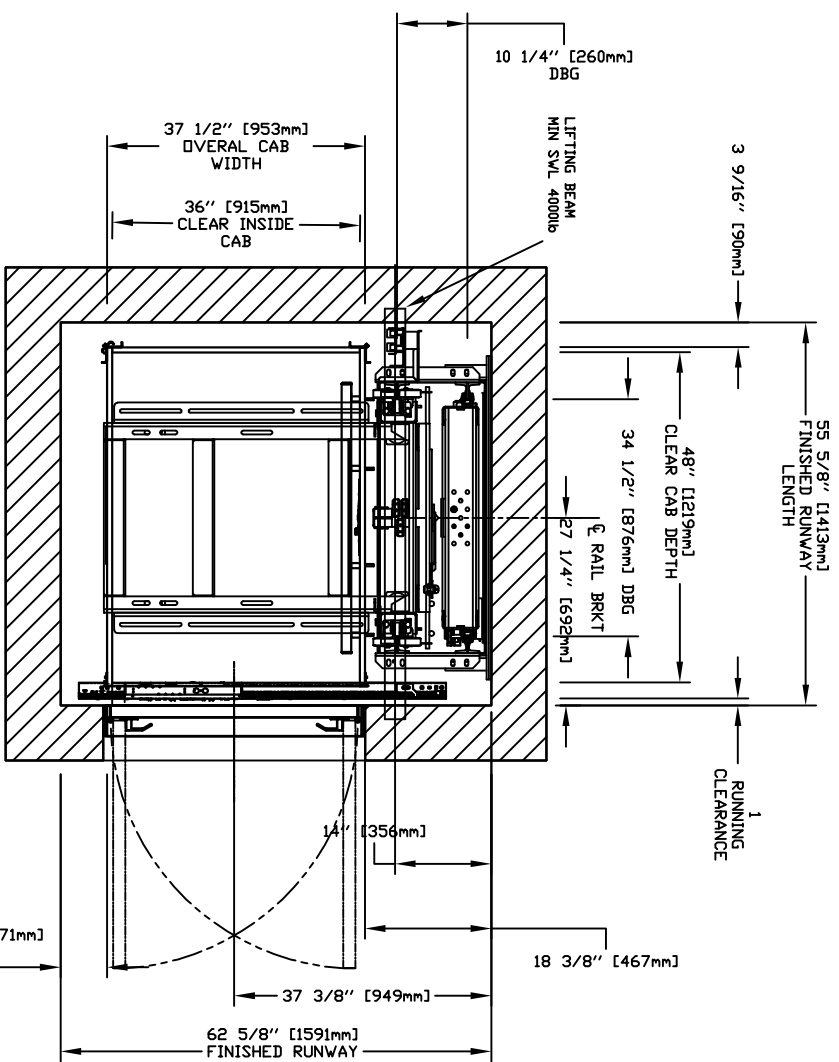
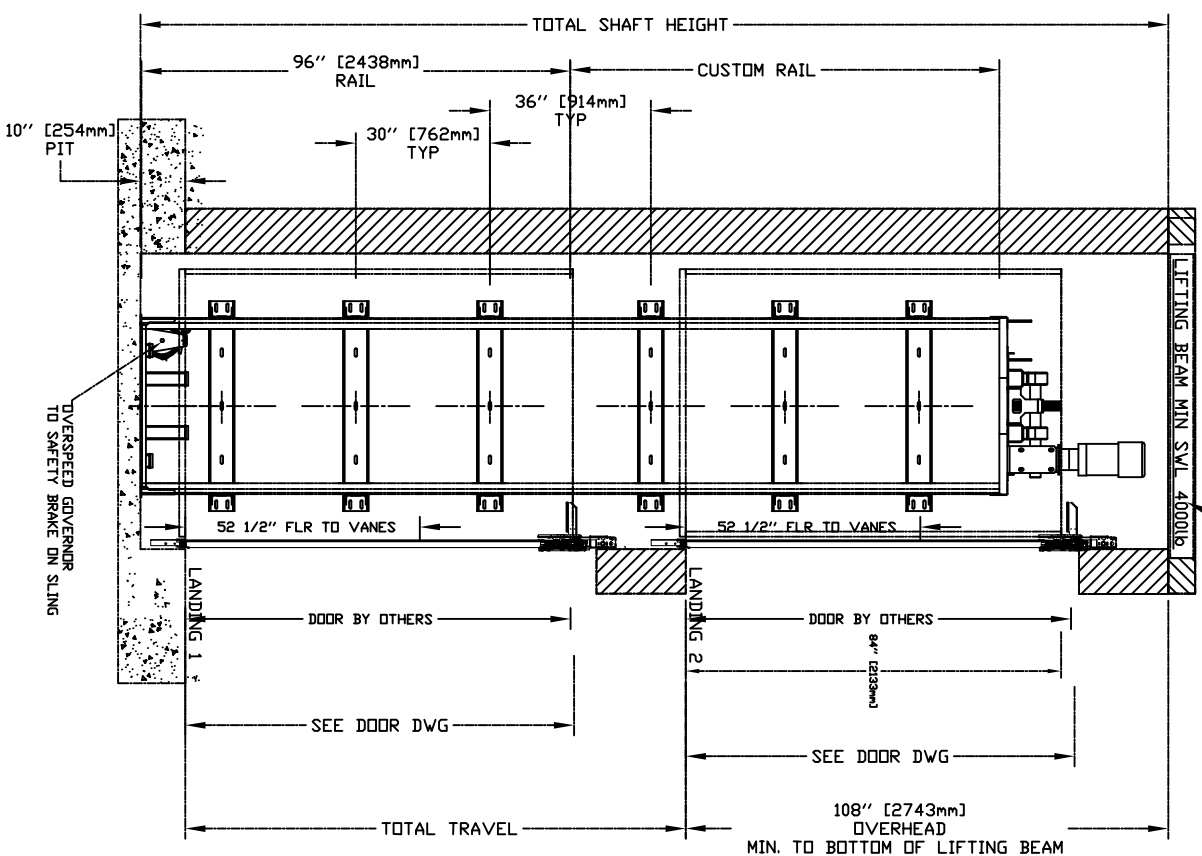
*ELECTRICAL
 POWER SUPPLY- (SEE SPECIFICATIONS) LOCKABLE FUSED DISCONNECT WITH AUXILIARY CONTACT TO BRAKE THE BATTERY FEED, OR CIRCUIT BREAKERS WITH A 3-POLE BREAKER FOR BATTERY FEED REQUIRED, IN COMPLIANCE WITH ELECTRICAL CODE, AS FOLLOWS:
 *LOCATED ON WALL ON LOCK JAMB SIDE OF MACHINE ROOM DOOR
 *PERMANENT POWER- BEFORE INSTALLATION CAN BEGIN, PERMANENT POWER MUST BE SUPPLIED.
 LIGHTING- THE ILLUMINATION SHALL BE NOT LESS THAN 200 LX (19 FC) AT THE FLOOR LEVEL IN ALL MACHINE ROOMS AND MACHINERY SPACES. ENSURE AT LEAST 100 LX (10 FC) AMBIENT LIGHTING OVER LIFT AREA. PHONE- NEED A DEDICATED PHONE LAND LINE

*ENTRANCES
 FASCIA PANEL BELOW UPPER LEVEL ENTRANCE, WHERE REQUIRED, PERPENDICULAR TO THE FLOOR AND WALLS. HOISTWAY FASCIA IS NOT SELF-SUPPORTING FOR LONG, CONTINUOUS RUNS VOID OF ENTRANCES. ADEQUATE SUPPORT FOR THE FASCIA MUST BE PROVIDED.

NOTE: LIFTING BEAM
 A 4000LB MIN SWL BEAM MUST BE PROVIDED IN THE OVERHEAD BEAM TO BE POSITIONED AS SHOWN IN ELEVATION & PLAN VIEWS. FOR OVERHEAD OF 108" POSITION THE OVERSIDE OF BEAM AT 104" & BEAM MUST BE TEMPORARY.

NOTE: C
 ALL INFORMATION IS SUBJECT TO CHANGE. PLEASE REFERENCE OUR ON-LINE DRAWINGS AT WWW.SAVARIA.COM FOR THE MOST RECENT UPDATES

L/B LOCATED IN THE H/W CEILING



RAIL BRACKETS

TABLE 1	
RAIL FORCES	
*R1	*R2
500 lbf	1570 lbf
RAIL WEIGHT 1 80 lbs / ft	

FOR TOTAL PULL-OUT FORCE ON RAIL BRACKET, 602 x 750 = 1440 lbf
 FOR LOCAL APPLICATION OF PIT LOAD, R1 MUST BE DOUBLED.

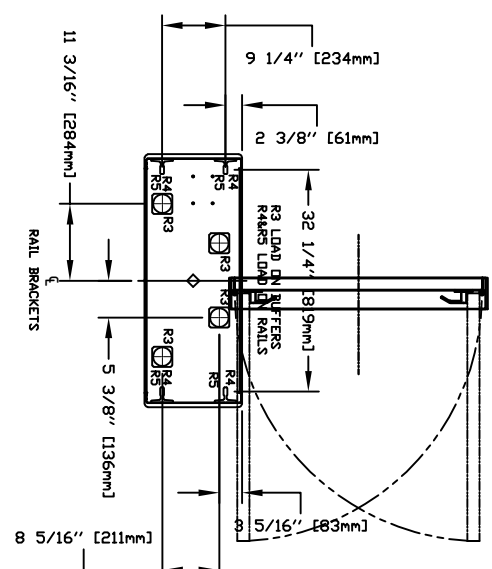
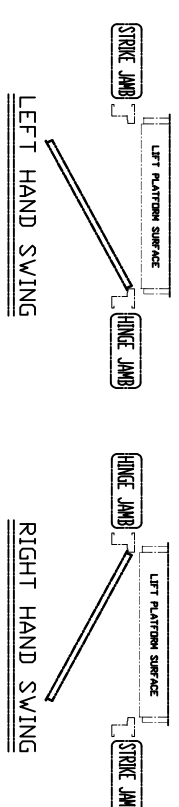


TABLE 2

LOADS ON PIT	
PIT RE-ACTION FORCE	
R3	8000 LBS
R4	3000 LBS
R5	9500 LBS

LOADS ON PIT

DOOR SWING



RESIDENTIAL ELEVATOR
 ZENITH MODEL 36X48 TYPE 1R

CUSTOMER:	DATE:
PROJECT:	INSTALL DATE:
LOCATION:	CONTRACTOR BY:

THE INFORMATION DISCLOSED HEREIN IS THE EXCLUSIVE PROPERTY OF **savaria**
 AND MAY NOT BE USED BY OTHERS WITHOUT WRITTEN CONSENT

SHEET # 1/1

