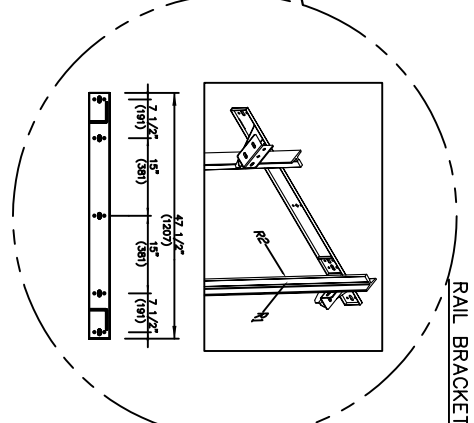
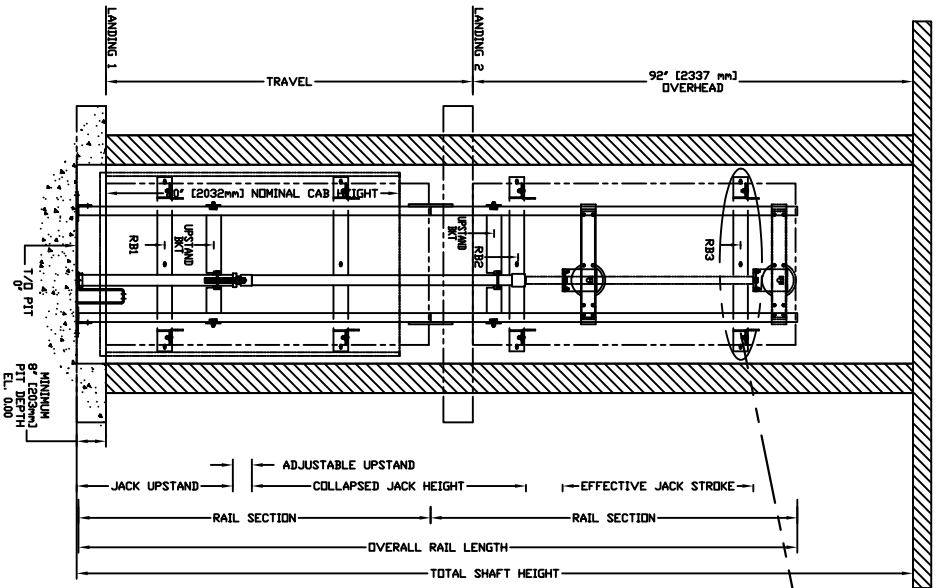


SECTIONAL VIEW - PROLIFT SCL Model TYPE 5



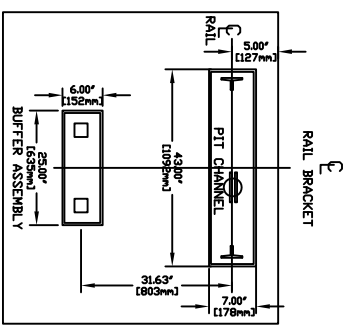
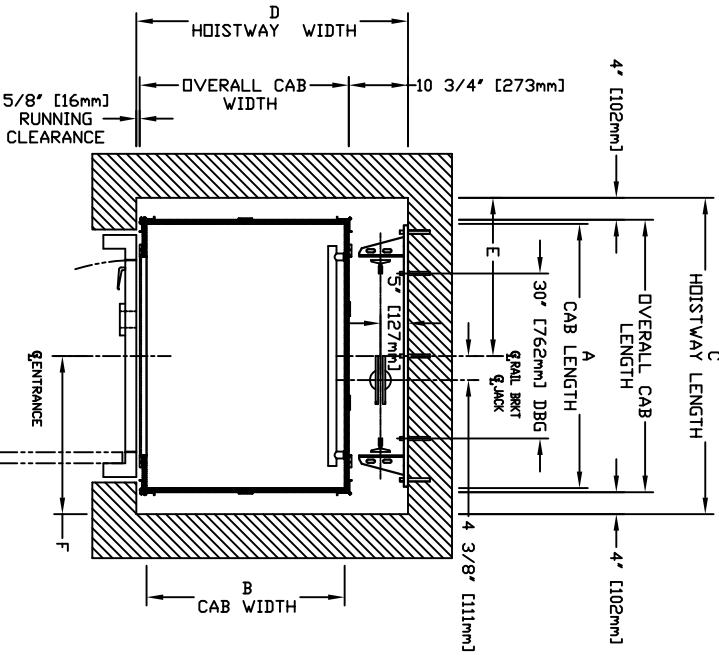
TOP RAIL BRACKET RB3	AT TOP OF HOISTWAY CONSULT YOUR REPRESENTATIVE FOR EXACT LOCATION
INTERMEDIATE RAIL BRACKET RB2	48" [1219mm] INTERVALS ABOVE BOTTOM BRACKET
BOTTOM RAIL BRACKET RB1	24" [610mm] ABOVE PIT FLOOR

RAIL FORCES		CAPACITY	
* R1	* R2	1400 lbs.	1400 lbs.
355,031bf.	251,501bf.	1000 lbs.	1000 lbs.
304 lbf.	194 lbf.		
RAIL WEIGHT : 80 lbs / ft			

R3 NOTE:		CAPACITY	
PIT FLOOR TO SUPPORT LOAD OF:		1400 lbs.	1400 lbs.
* (INCLUDES IMPACT)		1000 lbs.	1000 lbs.
		5.3kips	1000 lbs.

FOR TOTAL PULL-OUT FORCE ON RAIL BRACKET, R1 MUST BE DOUBLED eg 608 lbf for 1000 lbs.

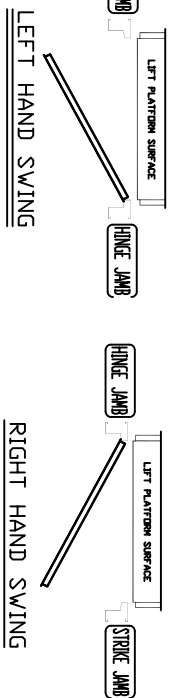
PLAN VIEW - PROLIFT SCL Model TYPE 5



HOISTWAY DIMENSION

CAB LENGTH	CAB WIDTH		HOISTWAY LENGTH		HOISTWAY WIDTH		E. RAIL BRKT CENTER LINE		F. ENTRANCE CENTER LINE	
	mm	Inches	mm	Inches	mm	Inches	mm	Inches	mm	Inches
1219	48	914	1461	57 1/2	1254	49 3/8	730	28 3/4	730	28 3/4
1372	54	914	1613	63 1/2	1254	49 3/8	806	31 3/4	806	31 3/4
1524	60	914	1765	69 1/2	1254	49 3/8	883	34 3/4	883	34 3/4
1219	48	1067	1461	57 1/2	1407	55 3/8	730	28 3/4	730	28 3/4

HALL FIXTURE LOCATION
LEFT HAND AS SHOWN
RIGHT HAND OPPOSITE
1. HALL BUTTON AT ALL FLOORS



DOCUMENT REVISION #0. DATE: 12/09/10

COMMERCIAL WHEELCHAIR LIFT
PROLIFT SCL MODEL TYPE 5

CUSTOMER: _____ DATE: _____
 PROJECT: _____ ENGINEER: _____ CAB NO.: _____
 LOCATION: _____ COMPLETED BY: _____ SHEET NO.: _____