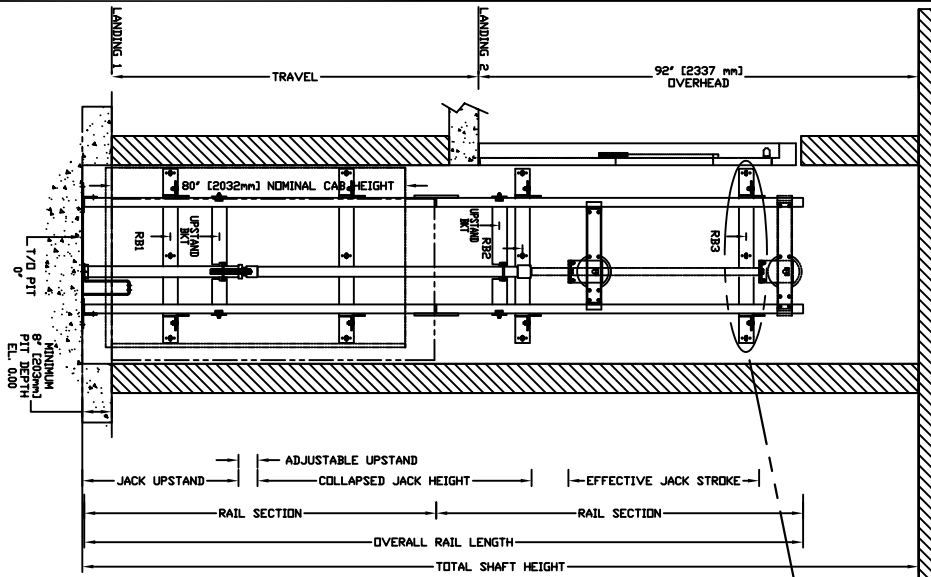
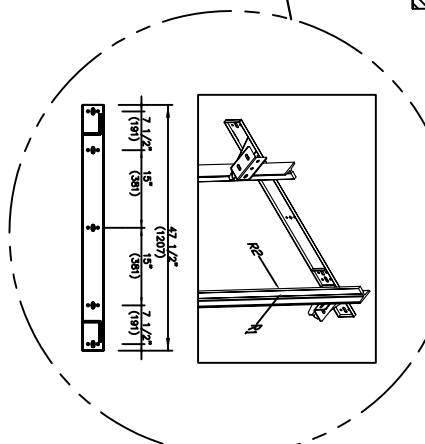


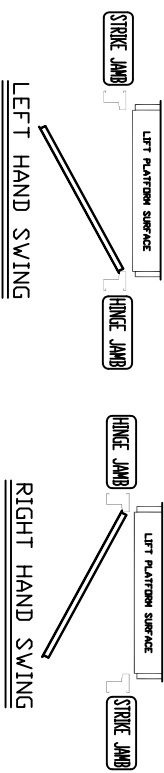
SECTIONAL VIEW - PROLIFT SCL Model TYPE 4-42" OPENING



RAIL BRACKET



TOP RAIL BRACKET RB3	AT TOP OF HOISTWAY CONSULT YOUR ARCHITECT FOR EXACT LOCATION
INTERMEDIATE RAIL BRACKET RB2	48" [1219mm] INTERVALS ABOVE BOTTOM BRACKET
BOTTOM RAIL BRACKET RB1	24" [610mm] ABOVE PIT FLOOR

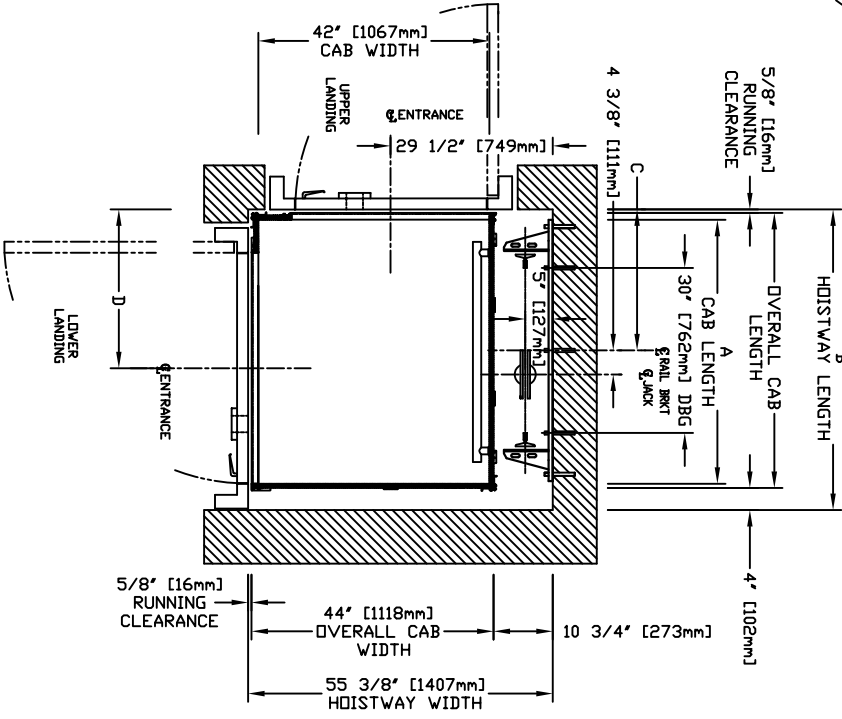


RAIL FORCES		CAPACITY	
*R1	*R2	1400 lbs.	1400 lbs.
355.03lb.f.	251.50lb.f.	1000 lbs.	1000 lbs.
304 lb.f.	194 lb.f.		
RAIL WEIGHT 1.80 lbs / ft			

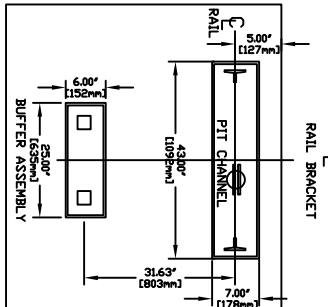
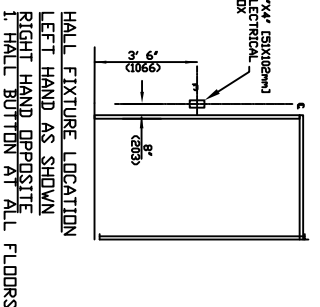
PIT FLOOR TO SUPPORT LOAD OF:		CAPACITY	
6.4 kips	1400 lbs.	1000 lbs.	1000 lbs.
5.33k/ips			

R3 NOTE:
PIT FLOOR TO SUPPORT LOAD OF:
* (INCLUDES IMPACT)
FOR TOTAL PULL-OUT FORCE ON RAIL BRACKET, R1 MUST BE DOUBLED eg. 608 lb.f for 1000 lbs.

PLAN VIEW - PROLIFT SCL Model TYPE 4-42" OPENING



HOISTWAY DIMENSION			
A	B	C	D
CAP LENGTH	HOISTWAY LENGTH	RAIL BRKT CENTER LINE	ENTRANCE CENTER LINE
mm	mm	mm	mm
inches	inches	inches	inches
1219	1387	651	733
48	54 5/8	25 5/8	28 7/8



DOCUMENT REVISION #0, DATE: 12/09/10

COMMERCIAL WHEELCHAIR LIFT
PROLIFT SCL MODEL TYPE 4-42" OPENING

CUSTOMER:	DATE:		SHEET No.
PROJECT:	ENGINEER:		
LOCATION:	COMPLETED BY:		