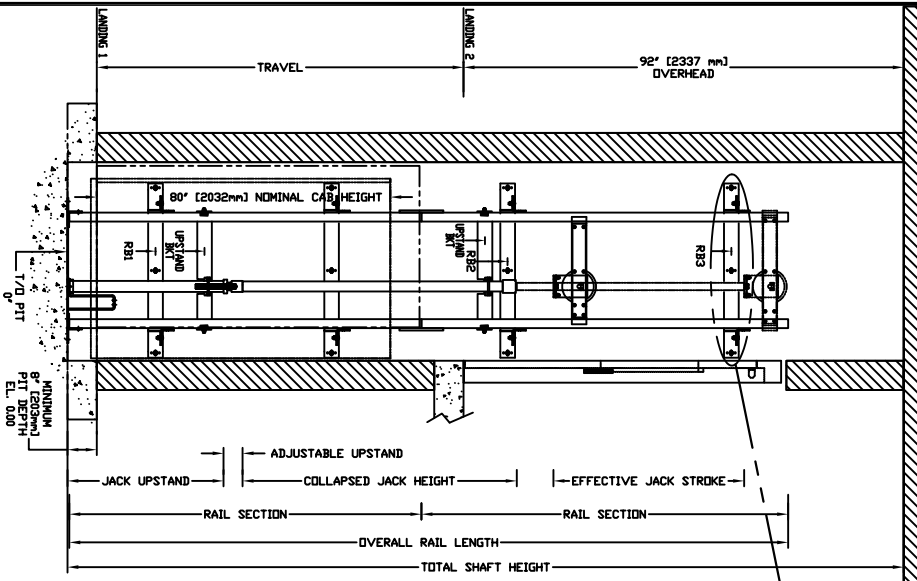
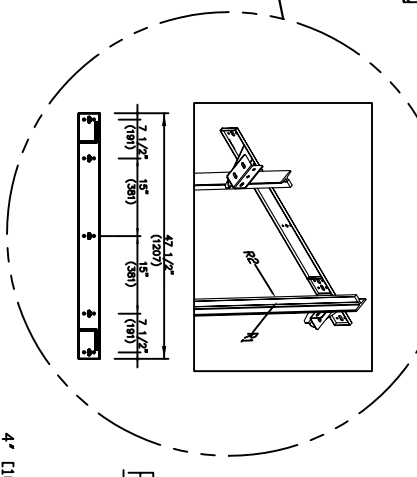


SECTIONAL VIEW - PROLIFT SCL Model TYPE 3-42" OPENING

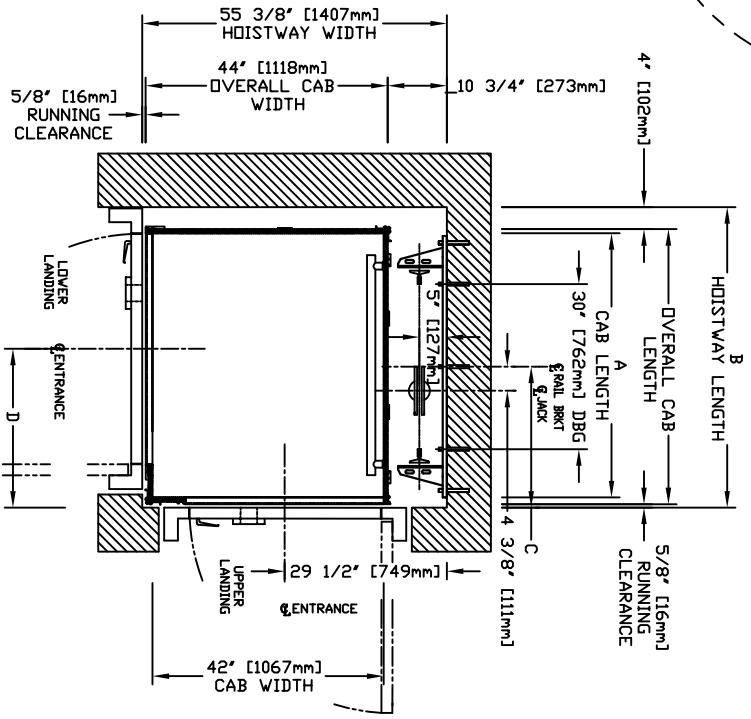


RAIL BRACKET



TOP RAIL BRACKET RB3	AT TOP OF HOISTWAY CONSULT YOUR CONCORD REPRESENTATIVE FOR EXACT LOCATION
INTERMEDIATE RAIL BRACKET RB2	48" [1219mm] INTERVALS ABOVE BOTTOM BRACKET
BOTTOM RAIL BRACKET RB1	24" [610mm] ABOVE PIT FLOOR

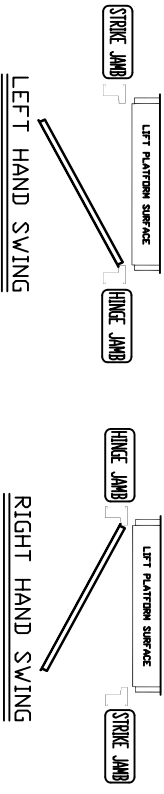
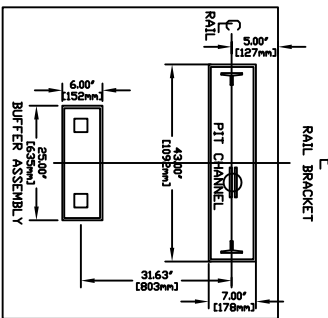
PLAN VIEW - PROLIFT SCL Model TYPE 3-42" OPENING



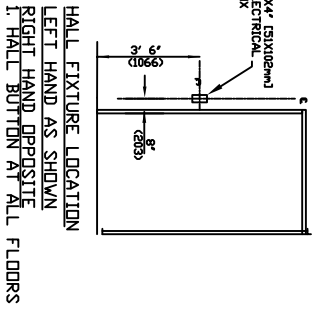
RAIL FORCES		CAPACITY	
* R1	* R2	355,031bf.	251,501bf.
304 lbf.	194 lbf.	1400 lbs.	1000 lbs.
RAIL WEIGHT : 80 lbs / ft			

R3 NOTE:		CAPACITY	
PIT FLOOR TO SUPPORT LOAD OF:		6.4 Kips	1400 lbs.
* (INCLUDES IMPACT)		5.33Kips	1000 lbs.

FOR TOTAL PULL-OUT FORCE ON RAIL BRACKET, R1 MUST BE DOUBLED eg. 608 lbf for 1000 lbs.



HOISTWAY DIMENSION			
A	B	C	D
CAB LENGTH	HOISTWAY LENGTH	RAIL BRKT CENTER LINE	ENTRANCE CENTER LINE
mm	mm	mm	mm
Inches	Inches	Inches	Inches
1219	1387	651	733
48	54 5/8	25 5/8	28 7/8



HALL FIXTURE LOCATION
LEFT HAND AS SHOWN
RIGHT HAND OPPOSITE
L. HALL BOTTOM AT ALL FLOORS

DOCUMENT REVISION #0. DATE: 12/09/10

COMMERCIAL WHEELCHAIR LIFT
PROLIFT SCL MODEL TYPE 3-42" OPENING

CUSTOMER:	DATE:		SHEET No.
PROJECT:	ENGINEER:		
LOCATION:	COMPILED BY:		