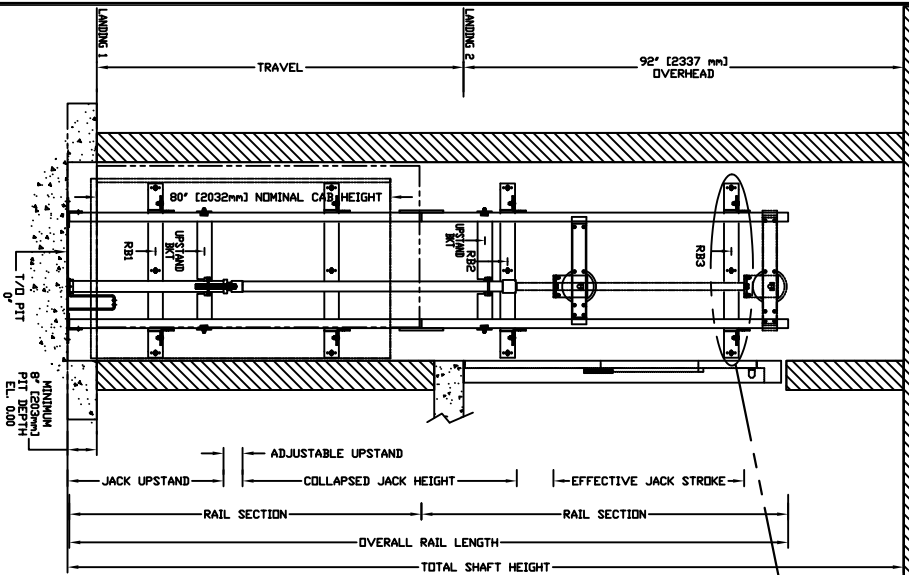
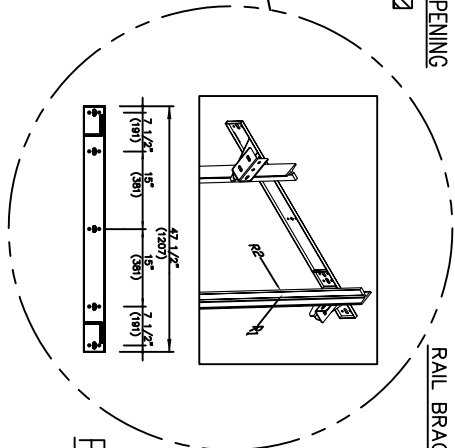


SECTIONAL VIEW - PROLIFT SCL Model TYPE 3-36" OPENING

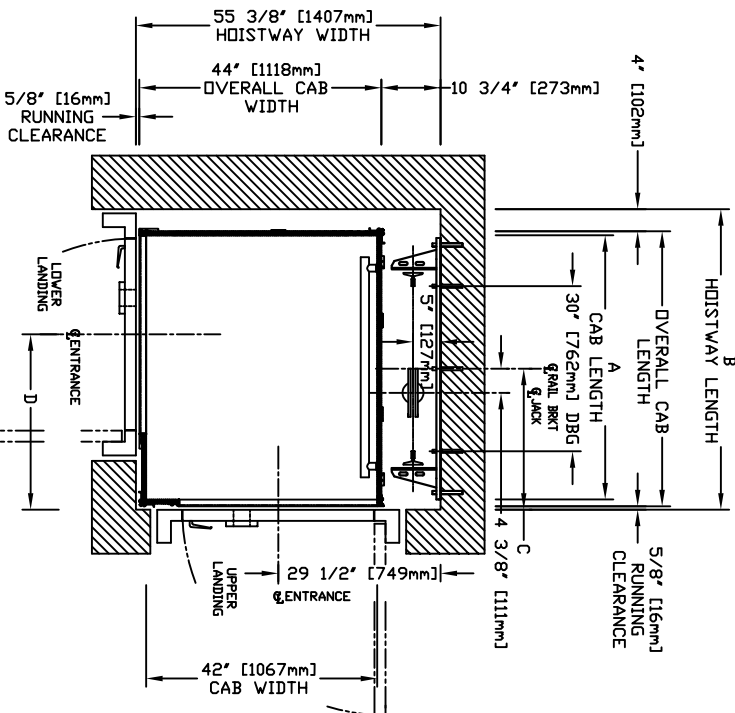


RAIL BRACKET



TOP RAIL BRACKET RIB3	AT TOP OF HOISTWAY CONSULT YOUR REPRESENTATIVE FOR EXACT LOCATION
INTERMEDIATE RAIL BRACKET RIB2	48" [1219mm] INTERVALS ABOVE BOTTOM BRACKET
BOTTOM RAIL BRACKET RIB1	24" [610mm] ABOVE PIT FLOOR

PLAN VIEW - PROLIFT SCL Model TYPE 3-36" OPENING

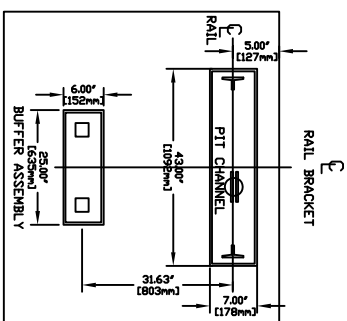


RAIL FORCES		
* R1	* R2	CAPACITY
355,031bf.	251,501bf.	1400 lbs.
304 lbf.	194 lbf.	1000 lbs.

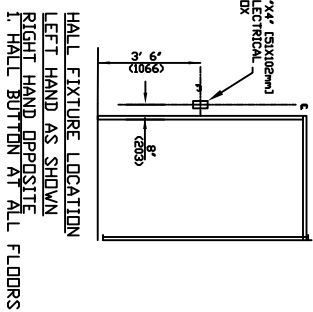
RAIL WEIGHT : 80 lbs / f + f

R3 NOTE:		
PIT FLOOR TO SUPPORT LOAD OF: * (INCLUDES IMPACT)		
6.4 kips	1400 lbs.	CAPACITY
5.3kips	1000 lbs.	

FOR TOTAL PULL-OUT FORCE ON RAIL BRACKET, R1 MUST BE DOUBLED eg. 608 lbf for 1000 lbs.



HOISTWAY DIMENSION			
A	B	C	D
CAP LENGTH	HOISTWAY LENGTH	RAIL BRKT CENTER LINE	ENTRANCE CENTER LINE
Inches	Inches	Inches	Inches
48	1387	54 5/8	810
mm	mm	mm	mm
1219	3529	1381	2057



HALL FIXTURE LOCATION  
LEFT HAND AS SHOWN  
RIGHT HAND OPPOSITE  
HALT BUTTON AT ALL FLOORS

LEFT HAND SWING

RIGHT HAND SWING

DOCUMENT REVISION #0. DATE: 12/09/10

COMMERCIAL WHEELCHAIR LIFT  
PROLIFT SCL MODEL TYPE 3-36" OPENING

CUSTOMER:	DATE:		SHEET NO.
PROJECT:	ENGINEER:		
LOCATION:	COMPLETED BY:		