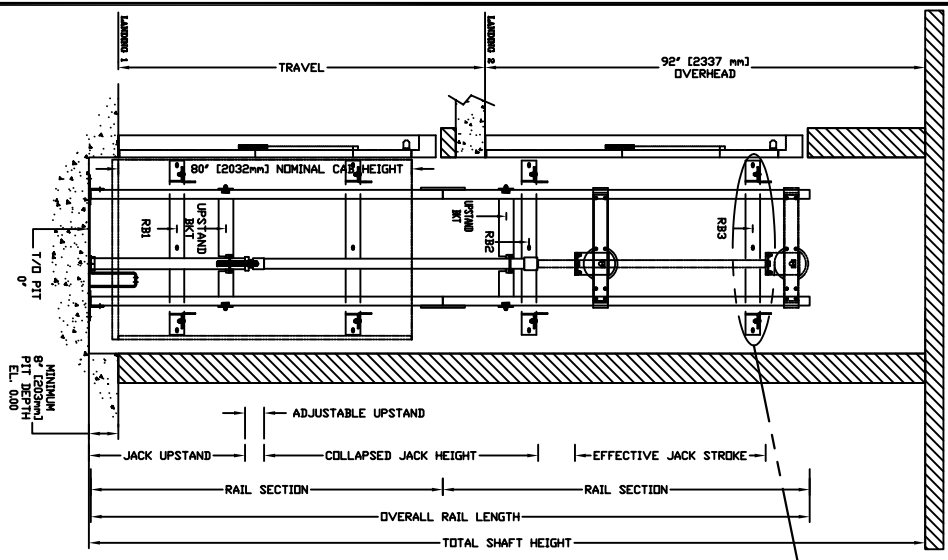
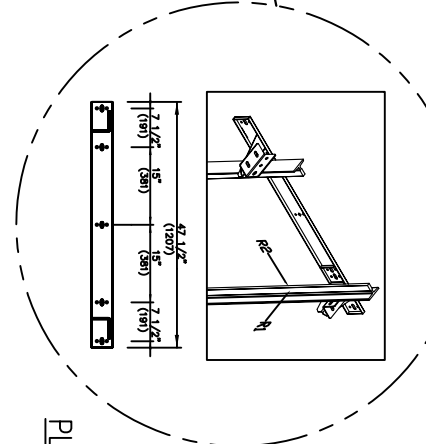


SECTIONAL VIEW - PROLIFT SCL Model TYPE 1L-42 - 36" OPENING

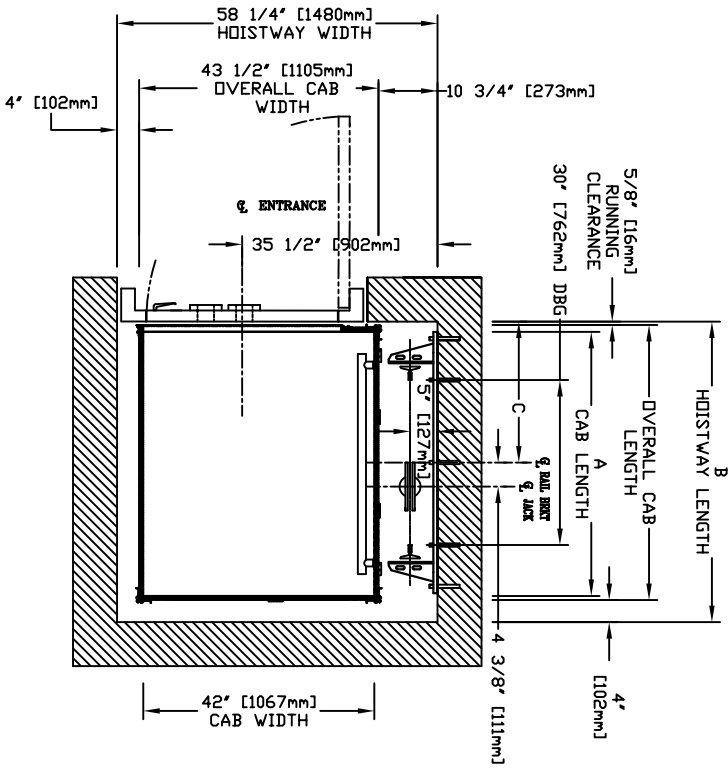


RAIL BRACKET



TOP RAIL BRACKET	RB3	AT TOP OF HOISTWAY CONSULT YOUR REPRESENTATIVE FOR EXACT LOCATION
INTERMEDIATE RAIL BRACKET	RB2	48" [1219mm] INTERVALS ABOVE BOTTOM BRACKET
BOTTOM RAIL BRACKET	RB1	24" [610mm] ABOVE PIT FLOOR

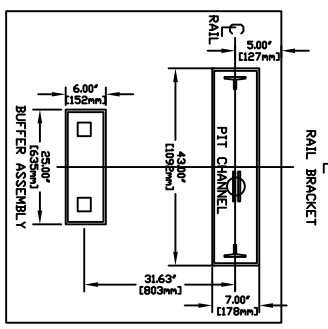
PLAN VIEW - PROLIFT SCL Model TYPE 1L-42 - 36" OPENING



RAIL FORCES		
*R1	*R2	CAPACITY
355,031bf.	251,501bf.	1400 lbs.
304 lbf.	194 lbf.	1000 lbs.
RAIL WEIGHT : 8.0 lbs / ft		

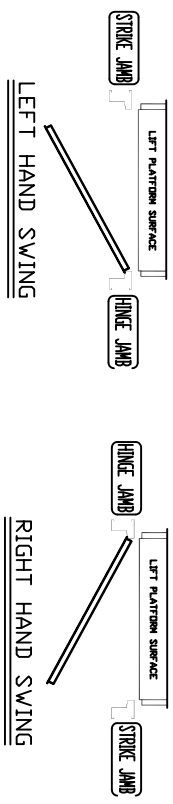
R3 NOTE:		
PIT FLOOR TO SUPPORT LOAD OF: * (INCLUDES IMPACT)		
CAPACITY	1400 lbs.	6.4 Kips
CAPACITY	1000 lbs.	5.33kips

FOR TOTAL PULL-OUT FORCE ON RAIL BRACKET, R1 MUST BE DOUBLED eg 608 lbf for 1000 lbs.



HALL FIXTURE LOCATION  
LEFT HAND AS SHOWN  
RIGHT HAND OPPOSITE  
I. HALL BOTTOM AT ALL FLOORS

HOISTWAY DIMENSION					
A		B		C	
CAB LENGTH	HOISTWAY LENGTH	RAIL BRKT CENTER LINE			
mm	Inches	mm	Inches	mm	Inches
1219	48	1387	54 5/8	651	25 5/8



DOCUMENT REVISION #0. DATE: 12/09/10

COMMERCIAL WHEELCHAIR LIFT  
PROLIFT SCL MODEL TYPE 1L-42 - 36" OPENING

CUSTOMER:	DATE:		SHEET No.
PROJECT:	ENGINEER:		
LOCATION:	COMPLETED BY:		