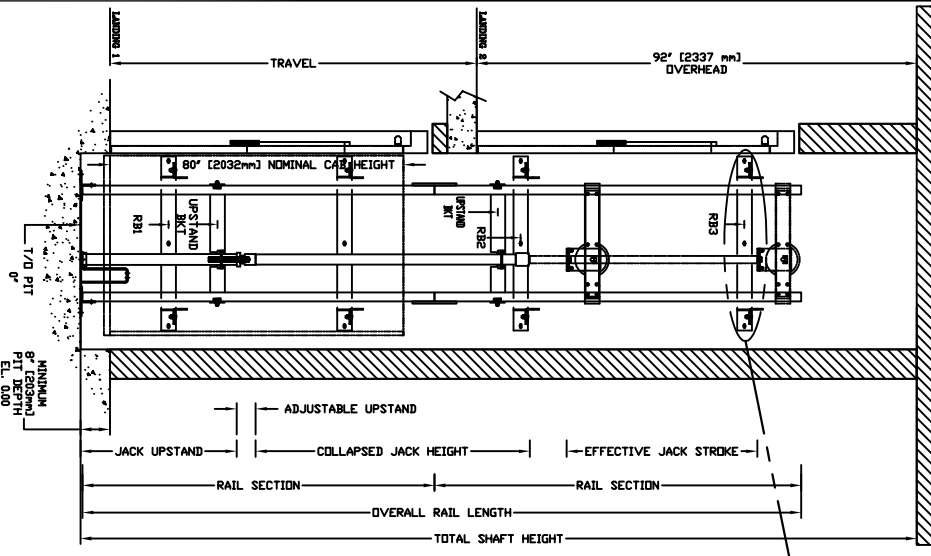
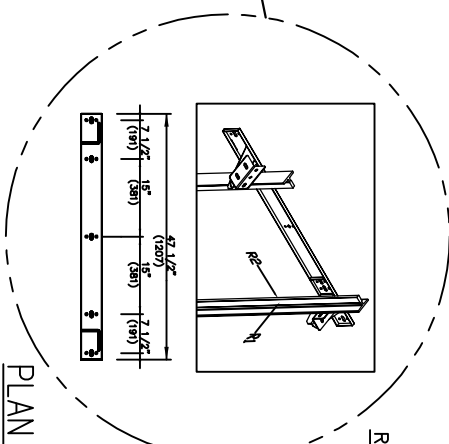


SECTIONAL VIEW - PROLIFT SCL Model TYPE 1L - 36"



| | |
|-------------------------------|---|
| TOP RAIL BRACKET RB3 | AT TOP OF HOISTWAY CONSULT YOUR REPRESENTATIVE FOR EXACT LOCATION |
| INTERMEDIATE RAIL BRACKET RB2 | 48" [1219mm] INTERVALS ABOVE BOTTOM BRACKET |
| BOTTOM RAIL BRACKET RB1 | 24" [610mm] ABOVE PIT FLOOR |

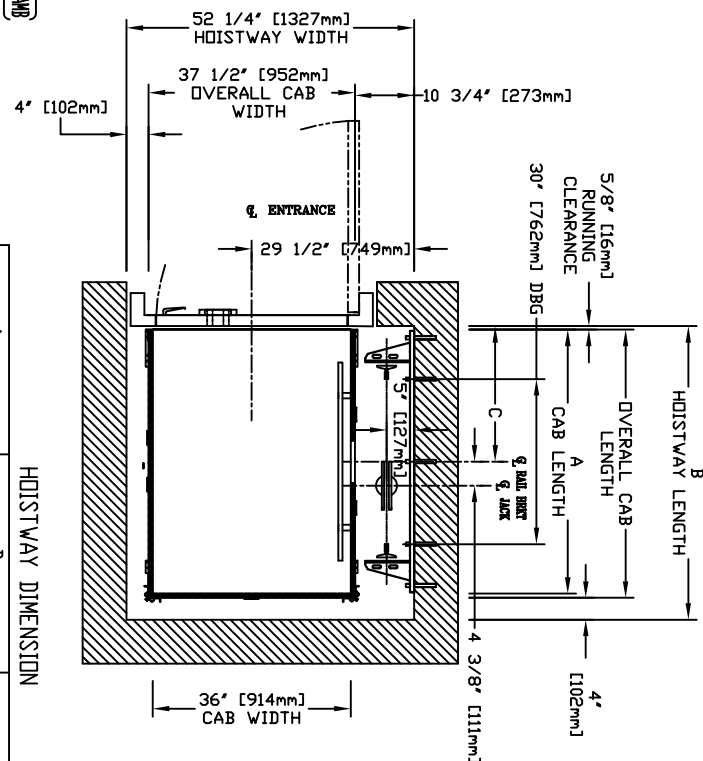


PLAN VIEW - PROLIFT SCL Model TYPE 1L - 36"

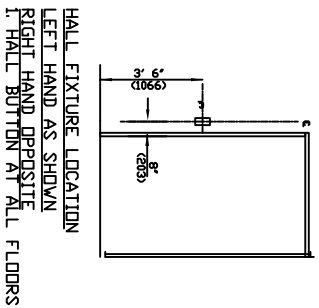
| RAIL FORCES | | CAPACITY |
|---------------------------|------------|-----------|
| * R1 | * R2 | 1400 lbs. |
| 355,031bf. | 251,501bf. | 1000 lbs. |
| 304 lbf. | 194 lbf. | |
| RAIL WEIGHT : 80 lbs / ft | | |

| R3 NOTE: | | CAPACITY |
|-------------------------------|--|-----------|
| PIT FLOOR TO SUPPORT LOAD OF: | | 1400 lbs. |
| * (INCLUDES IMPACT) | | 1000 lbs. |
| | | 5.33kips |

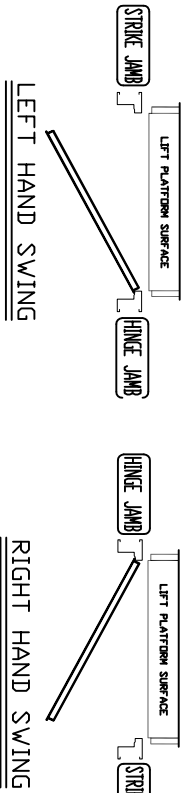
FOR TOTAL PULL-OUT FORCE ON RAIL BRACKET, R1 MUST BE DOUBLED eg. 608 lbf for 1000 lbs.



| HOISTWAY DIMENSION | | CAB WIDTH | |
|--------------------|-----------------|-----------------------|--------|
| A | B | C | D |
| CAB LENGTH | HOISTWAY LENGTH | RAIL BRKT CENTER LINE | |
| mm | mm | mm | mm |
| Inches | Inches | Inches | Inches |
| 1219 | 1356 | 53 3/8 | 635 |
| 48 | 54 | 59 3/8 | 711 |
| 1372 | 1524 | 1661 | 787 |
| 60 | | | 31 |



HALL FIXTURE LOCATION
LEFT HAND AS SHOWN
RIGHT HAND OPPOSITE
I. HALL BOTTOM AT ALL FLOORS



DOCUMENT REVISION #0 DATE: 12/09/10

COMMERCIAL WHEELCHAIR LIFT
PROLIFT SCL MODEL TYPE 1L - 36"

| | | |
|-----------|-----------|-----------|
| CUSTOMER: | DATE: | savaria |
| PROJECT: | ENGINEER: | |
| LOCATION: | COMPANY: | SHEET No. |