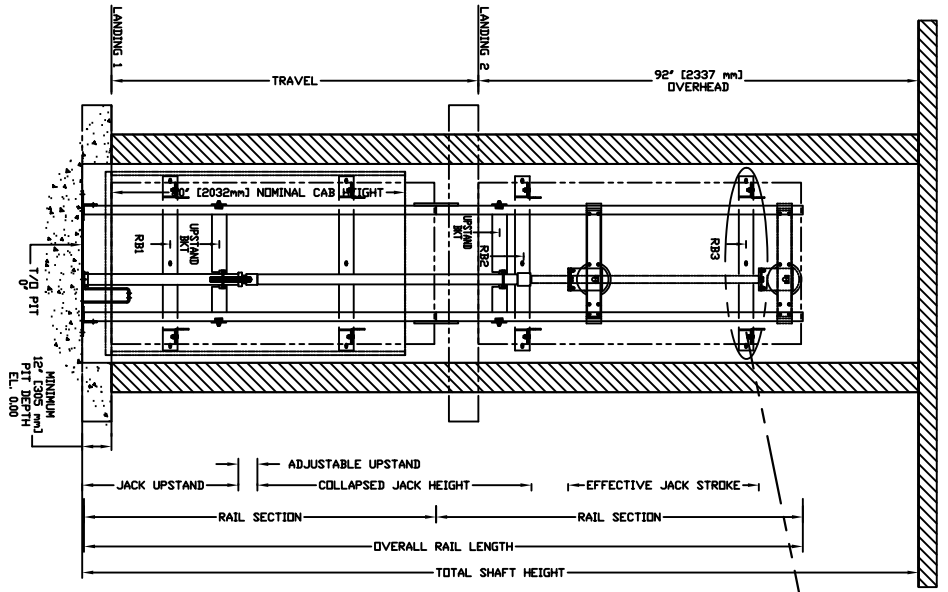
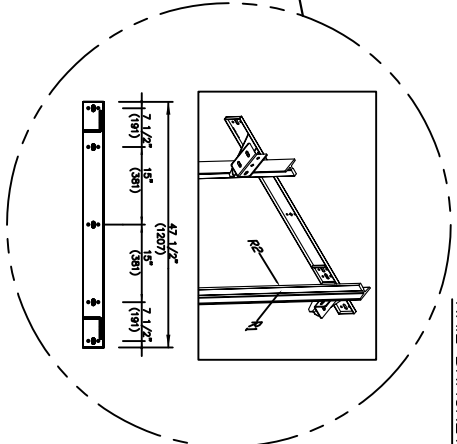


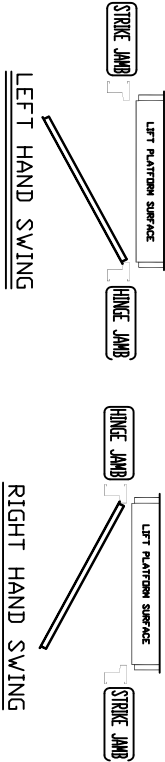
SECTIONAL VIEW - PROLIFT HD Model TYPE 5



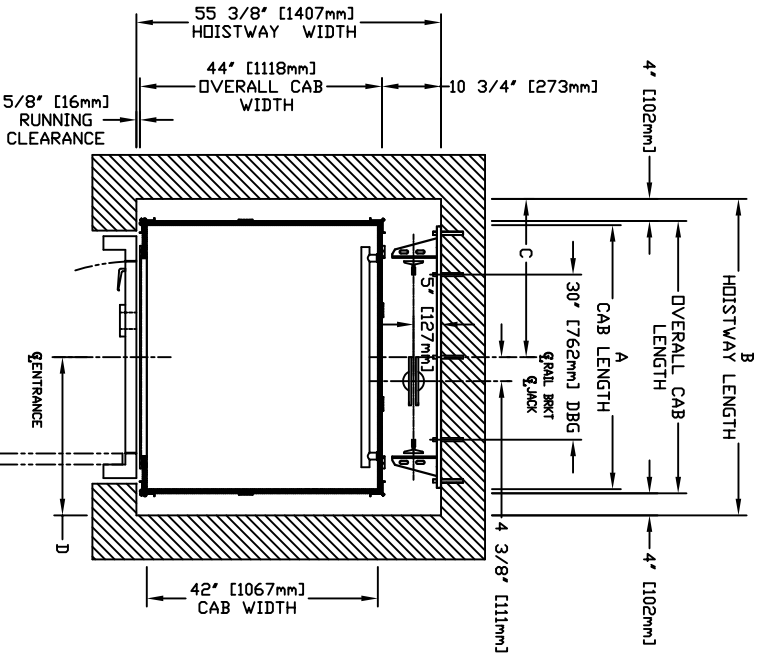
RAIL BRACKET



TOP RAIL BRACKET RB3	AT TOP OF HOISTWAY CONSULT YOUR REPRESENTATIVE FOR EXACT LOCATION
INTERMEDIATE RAIL BRACKET RB2	48" [1219mm] INTERVALS ABOVE BOTTOM BRACKET
BOTTOM RAIL BRACKET RB1	24" [610mm] ABOVE PIT FLOOR



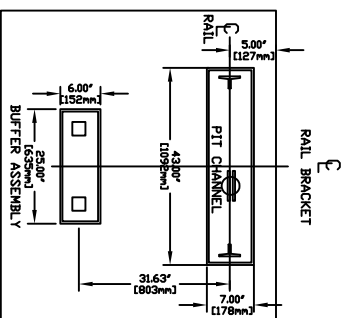
PLAN VIEW - PROLIFT HD Model TYPE 5



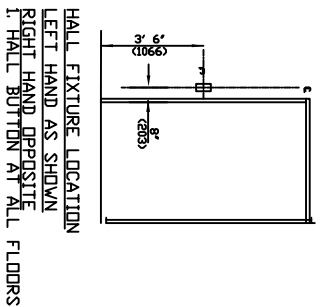
RAIL FORCES		
*R1	*R2	CAPACITY
355,031bf.	251,501bf.	1400 lbs.
304 lbf.	194 lbf.	1000 lbs.
RAIL WEIGHT : 80 lbs / ft		

R3 NOTE:		
PIT FLOOR TO SUPPORT LOAD OF:		
* (INCLUDES IMPACT)		
CAPACITY	1400 lbs.	5.33kips
	1000 lbs.	

FOR TOTAL PULL-OUT FORCE ON RAIL BRACKET, R1 MUST BE DOUBLED eg. 608 lbf for 1000 lbs.



HOISTWAY DIMENSION							
A		B		C		D	
CAB LENGTH	HOISTWAY LENGTH	HOISTWAY LENGTH	CENTER LINE	RAIL BRKT CENTER LINE	ENTRANCE CENTER LINE	ENTRANCE CENTER LINE	ENTRANCE CENTER LINE
mm	Inches	mm	Inches	mm	Inches	mm	Inches
1372	54	1613	63 1/2	806	31 3/4	806	31 3/4
1524	60	1765	69 1/2	883	34 3/4	883	34 3/4



HALL FIXTURE LOCATION LEFT HAND AS SHOWN RIGHT HAND OPPOSITE HALT BUTTON AT ALL FLOORS

COMMERCIAL WHEELCHAIR LIFT PROLIFT HD MODEL TYPE 5

DOCUMENT REVISION NO. DATE: 12/09/10

CUSTOMER:	DATE:	
PROJECT:	REVISION LINE:	
LOCATION:	COMPLETED BY:	JOB NO.
		SHEET NO.