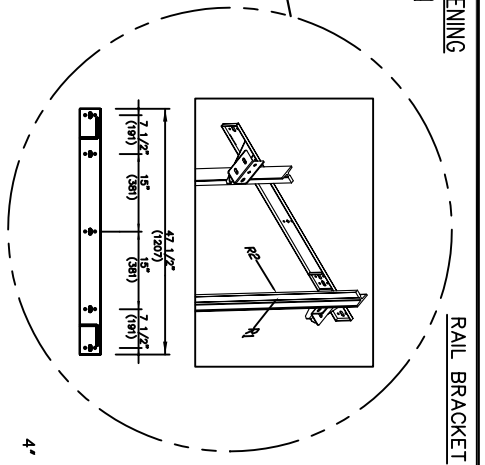
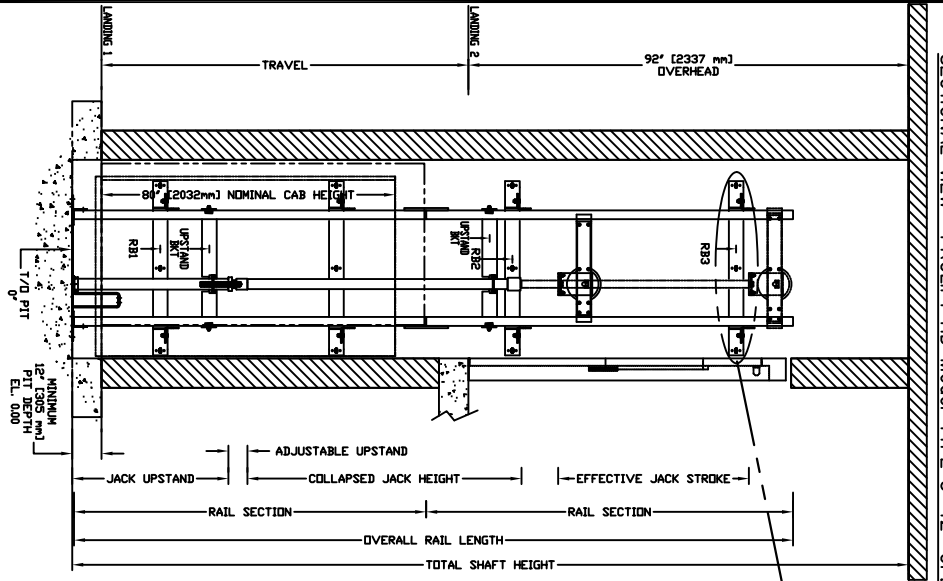


SECTIONAL VIEW - PROLIFT HD Model TYPE 3-42" OPENING

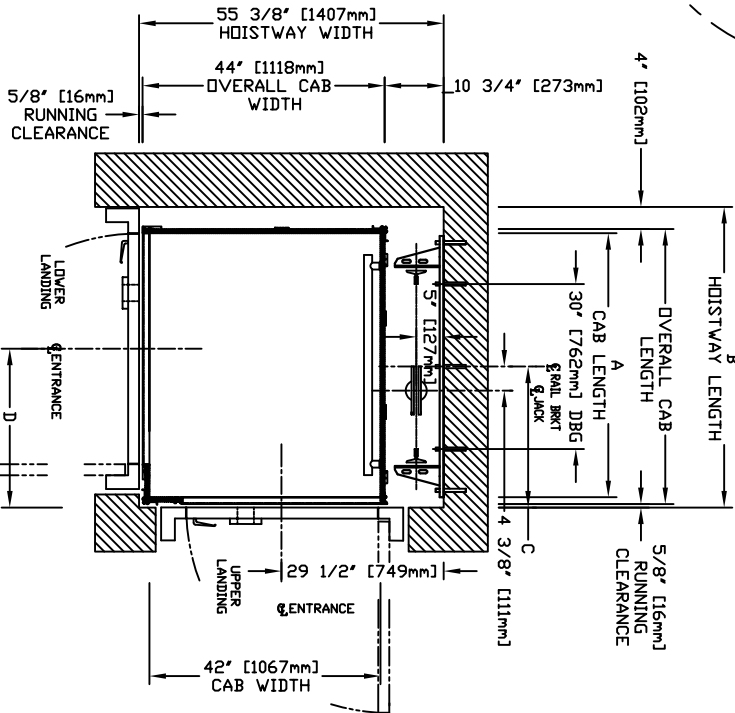


TOP RAIL BRACKET RB3	AT TOP OF HOISTWAY CONSULT YOUR REPRESENTATIVE FOR EXACT LOCATION
INTERMEDIATE RAIL BRACKET RB2	48" [1219mm] INTERVALS ABOVE BOTTOM BRACKET
BOTTOM RAIL BRACKET RB1	24" [610mm] ABOVE PIT FLOOR

RAIL BRACKET

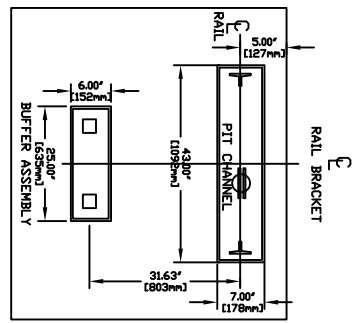
RAIL FORCES		
*R1	*R2	CAPACITY
355,031bf.	251,501bf.	1400 lbs.
304 lb.f.	194 lb.f.	1000 lbs.
RAIL WEIGHT : 8.0 lbs / ft		

PLAN VIEW - PROLIFT HD Model TYPE 3-42" OPENING



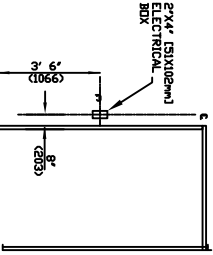
R3 NOTE:		
PIT FLOOR TO SUPPORT LOAD DF: * (INCLUDES IMPACT)		
6.4 Kips	1400 lbs.	CAPACITY
5.33Kips	1000 lbs.	

FOR TOTAL PULL-OUT FORCE ON RAIL BRACKET, R1 MUST BE DOUBLED eg. 608 lb.f for 1000 lbs.



HOISTWAY DIMENSION					
A	B	C	D		
CAP LENGTH	HOISTWAY LENGTH	RAIL BRKT CENTER LINE	ENTRANCE CENTER LINE		
mm	Inches	mm	Inches	mm	Inches
1372	54	1540	60 5/8	727	28 5/8
1524	60	1692	66 5/8	803	31 5/8
					1039
					886
					34 7/8
					40 7/8

HALL FIXTURE LOCATION LEFT HAND AS SHOWN RIGHT HAND OPPOSITE IT HALF BOTTOM AT ALL FLOORS



COMMERCIAL WHEELCHAIR LIFT PROLIFT HD MODEL TYPE 3-42" OPENING

DOCUMENT REVISION NO. DATE: 12/09/10

CUSTOMER:	DATE:
PROJECT:	REVISION LINE:
LOCATION:	COMPLETED BY:
JOB NO.:	SHEET NO.: