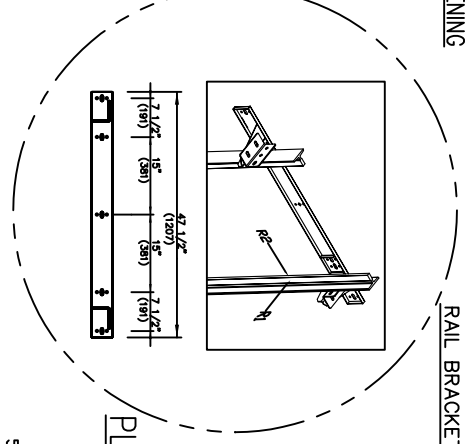
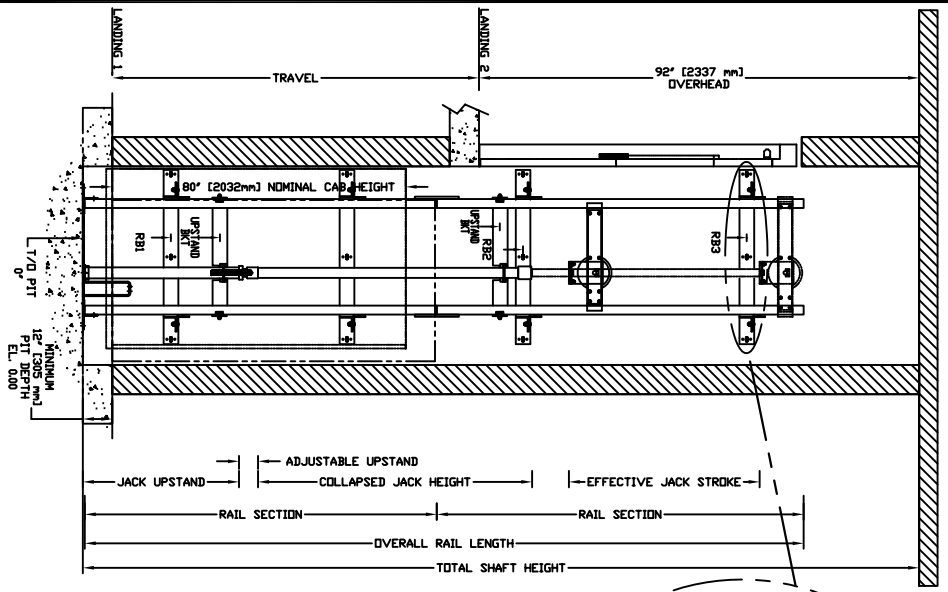


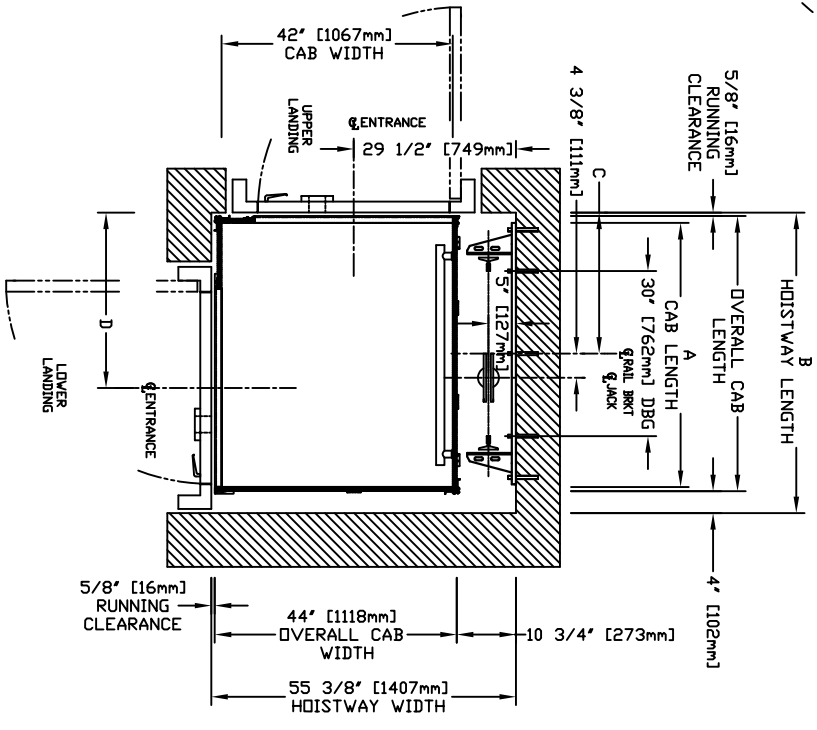
SECTIONAL VIEW - PROLIFT HD Model TYPE 4-36" OPENING



TOP RAIL BRACKET R33	AT TOP OF HOISTWAY CONSULT YOUR REPRESENTATIVE FOR EXACT LOCATION
INTERMEDIATE RAIL BRACKET R32	48" [1219mm] INTERVALS ABOVE BOTTOM BRACKET
BOTTOM RAIL BRACKET R31	24" [610mm] ABOVE PIT FLOOR

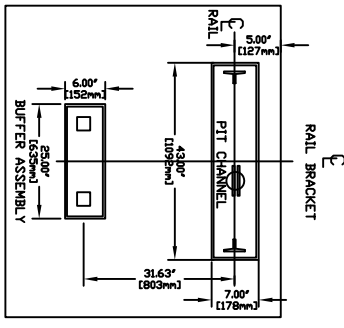
RAIL FORCES		
* R1	* R2	CAPACITY
355,031bf.	251,501bf.	1400 lbs.
304 lbf.	194 lbf.	1000 lbs.
RAIL WEIGHT : 80 lbs / f-t		

PLAN VIEW - PROLIFT HD Model TYPE 4-36" OPENING

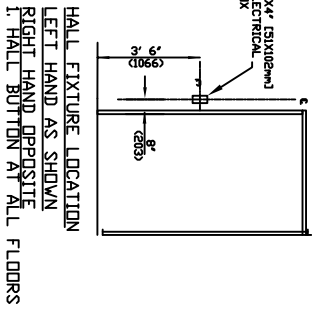


R3 NOTE:		
PIT FLOOR TO SUPPORT LOAD OF: * (INCLUDES IMPACT)		
CAPACITY	1400 lbs.	5.33kips
6.4 KIPS	1400 lbs.	1000 lbs.
5.33kips	1000 lbs.	

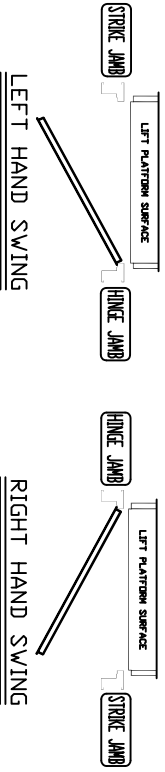
FOR TOTAL PULL-OUT FORCE ON RAIL BRACKET, R1 MUST BE DOUBLED eg. 608 lbf for 1000 lbs.



HOISTWAY DIMENSION			
A	B	C	D
CAP LENGTH	HOISTWAY LENGTH	RAIL BRKT CENTER LINE	ENTRANCE CENTER LINE
mm	mm	mm	mm
Inches	Inches	Inches	Inches
1372	54	1540	60
54	60	5/8	727
1524	60	5/8	803
60	1692	803	31
		5/8	114
			43
			7/8



HALL FIXTURE LOCATION  
LEFT HAND AS SHOWN  
RIGHT HAND OPPOSITE  
1" HALL BOTTOM AT ALL FLOORS



COMMERCIAL WHEELCHAIR LIFT  
PROLIFT HD Model TYPE 4-36" OPENING

CUSTOMER: \_\_\_\_\_ DATE: \_\_\_\_\_  
 PROJECT: \_\_\_\_\_ REVISION LINE: \_\_\_\_\_  
 LOCATION: \_\_\_\_\_ COMPLETED BY: \_\_\_\_\_  
 JOB NO. \_\_\_\_\_ SHEET NO. \_\_\_\_\_

