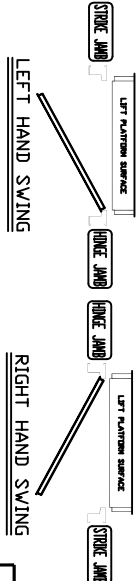
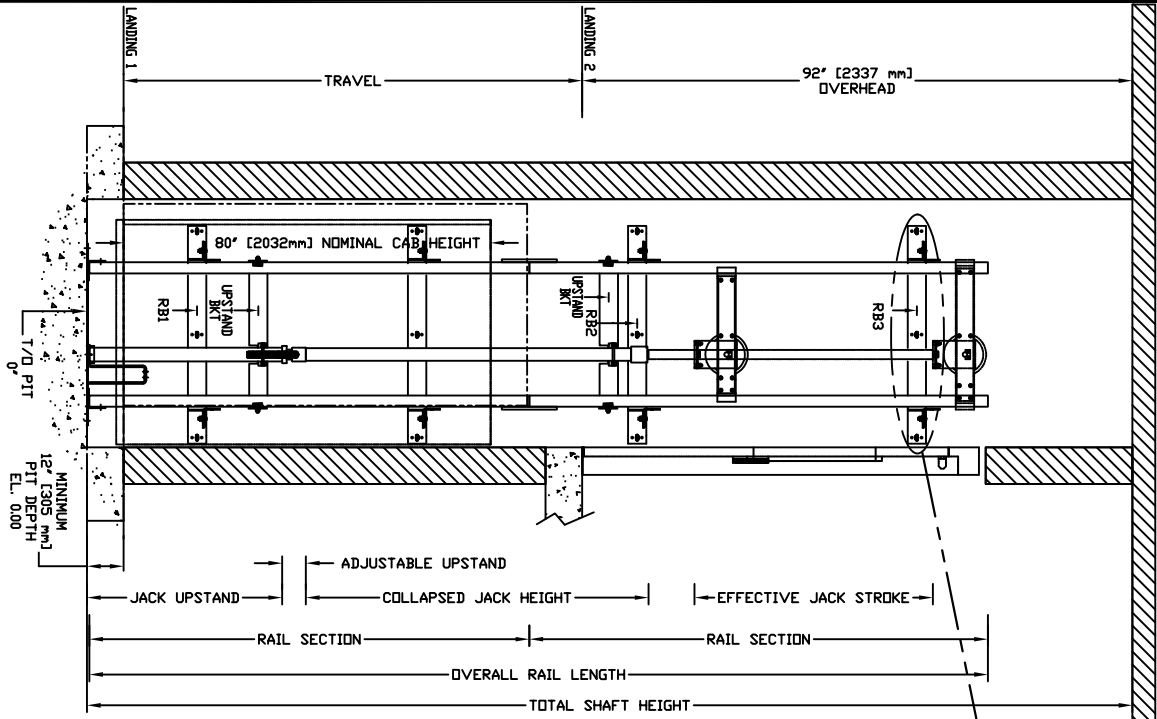
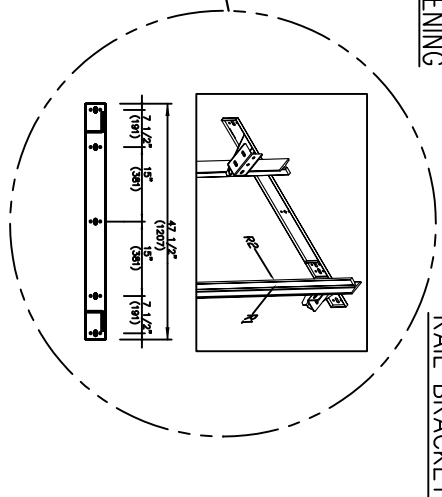


SECTIONAL VIEW - PROLIFT HD Model 4860 TYPE 3-42" OPENING



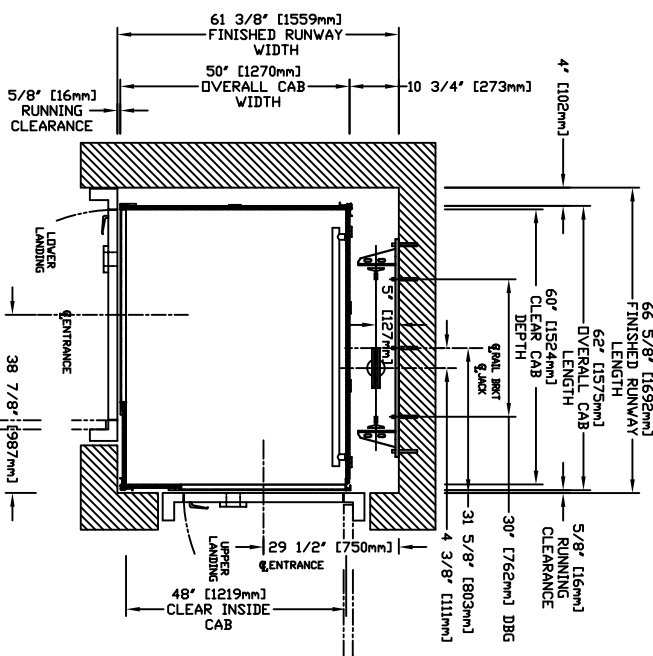
DOCUMENT REVISION #0, DATE: 12/09/10

RAIL BRACKET



TOP RAIL BRACKET RB3	AT TOP OF HOSTWAY CONSULT YOUR CONCORD REPRESENTATIVE FOR EXACT LOCATION
INTERMEDIATE RAIL BRACKET RB2	48\"/>
BOTTOM RAIL BRACKET RB1	24\"/>

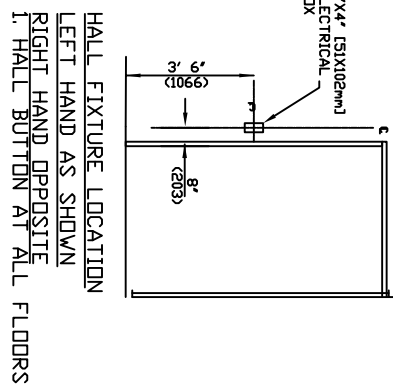
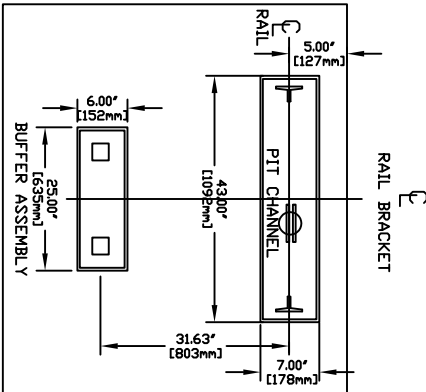
PLAN VIEW - PROLIFT HD Model 4860 TYPE 3-42" OPENING



RAIL FORCES		CAPACITY	
*R1	*R2	1400 lbs.	1400 lbs.
422. lb.f.	251.501b.f.	1000 lbs.	
355.031b.f.	251.501b.f.		
RAIL WEIGHT : 8.0 lbs / ft			

R3 NOTE:		CAPACITY	
PIT FLOOR TO SUPPORT LOAD OF:		1400 lbs.	1400 lbs.
*(INCLUDES IMPACT)		1000 lbs.	
8.22 Kips			
6.4 Kips			

FOR TOTAL PULL-OUT FORCE ON RAIL BRACKET, R1 MUST BE DOUBLED eg. 608 lb/f for 1000 lbs.



HALL FIXTURE LOCATION  
LEFT HAND AS SHOWN  
RIGHT HAND OPPOSITE  
I. HALL BUTTON AT ALL FLOORS

COMMERCIAL WHEELCHAIR LIFT

PROLIFT HD MODEL 4860 TYPE 3-42" OPENING

CUSTOMER:	DATE:	
PROJECT:	REVISION LINE:	
LOCATION:	COMPLETED BY:	
	JOB NO.:	
		SHEET NO.