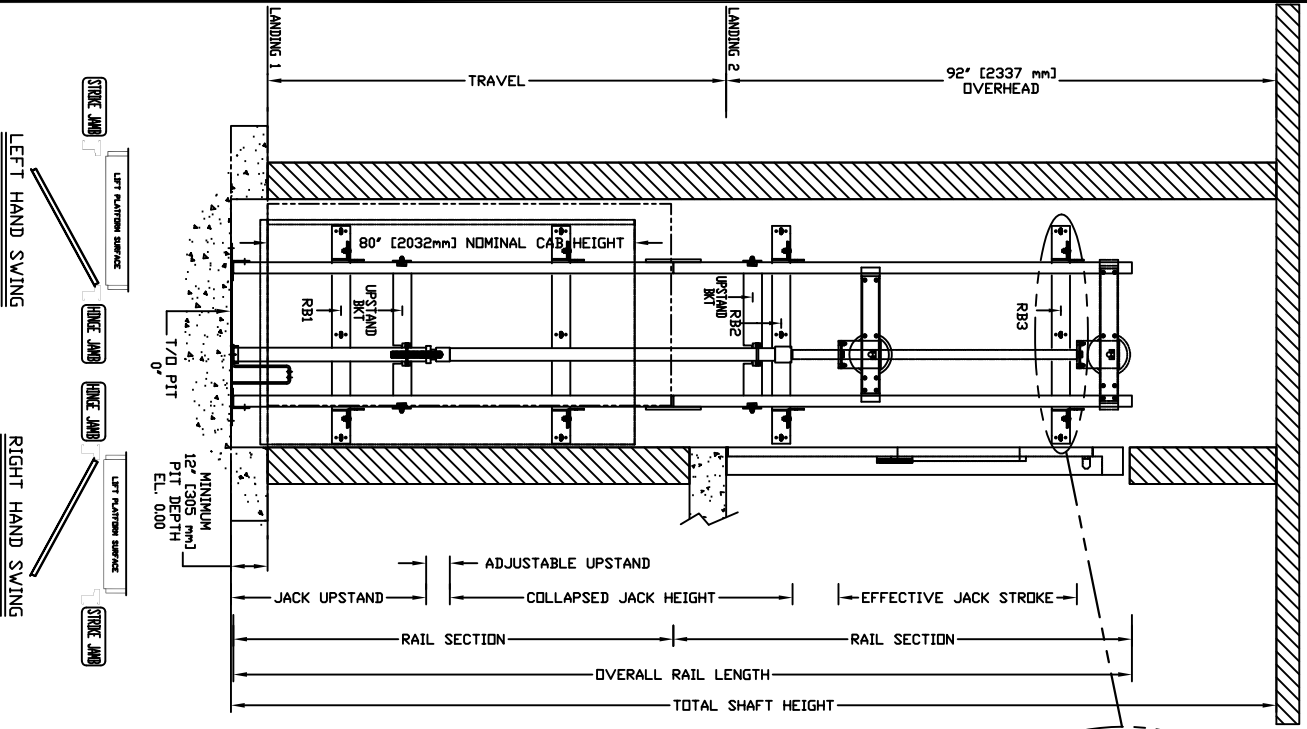
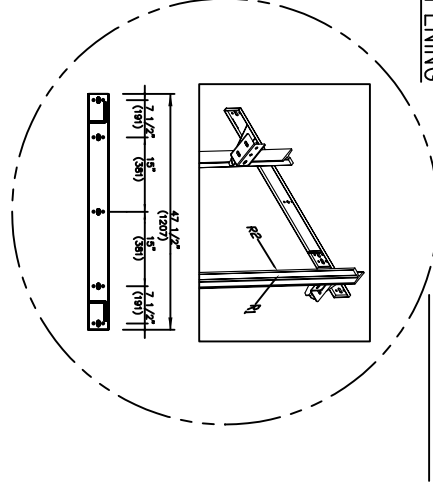


SECTIONAL VIEW - PROLIFT HD Model 4860 TYPE 3-36" OPENING

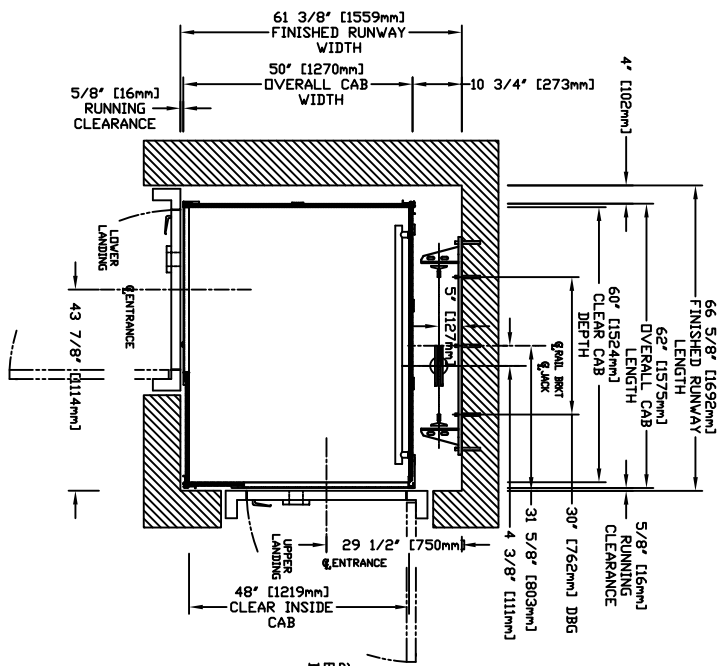


RAIL BRACKET



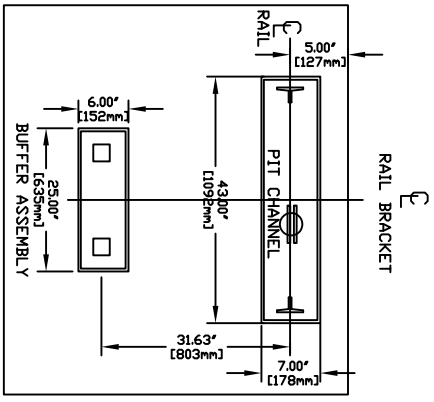
RAIL FORCES		CAPACITY	
*R1	*R2	1400 lbs.	1400 lbs.
422.10lf.	251.50lb.f.	1000 lbs.	1000 lbs.
RAIL WEIGHT : 80 lbs / ft			

PLAN VIEW - PROLIFT HD Model 4860 TYPE 3-36" OPENING



R3 NOTE:	
PIT FLOOR TO SUPPORT LOAD DF:	* (INCLUDES IMPACT)
8.22 Kips	1400 lbs.
6.4 Kips	1000 lbs.

FOR TOTAL PULL-OUT FORCE ON RAIL BRACKET, R1 MUST BE DOUBLED eg. 608 10lf for 1000 lbs.



TOP RAIL BRACKET RB3	AT TOP OF HOISTWAY CONSULT YOUR REPRESENTATIVE FOR EXACT RB3 LOCATION
INTERMEDIATE RAIL BRACKET RB2	48" [1219mm] INTERVALS ABOVE BOTTOM BRACKET
BOTTOM RAIL BRACKET RB1	24" [610mm] ABOVE PIT FLOOR

HALL FIXTURE LOCATION
LEFT HAND AS SHOWN
RIGHT HAND OPPOSITE
I. HALL BUTTON AT ALL FLOORS

DOCUMENT REVISION #0, DATE: 12/09/10

COMMERCIAL WHEELCHAIR LIFT
PROLIFT HD MODEL 4860 TYPE 3-36" OPENING

CUSTOMER:	DATE:	
PROJECT:	REVISION LINE:	
LOCATION:	COMPLETED BY:	
JOB NO.:		SHEET NO.: