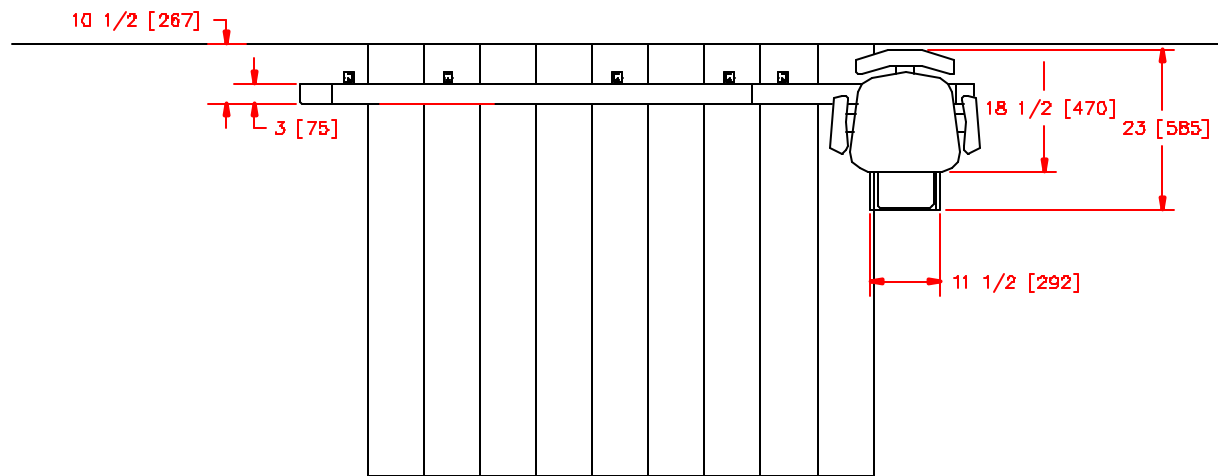
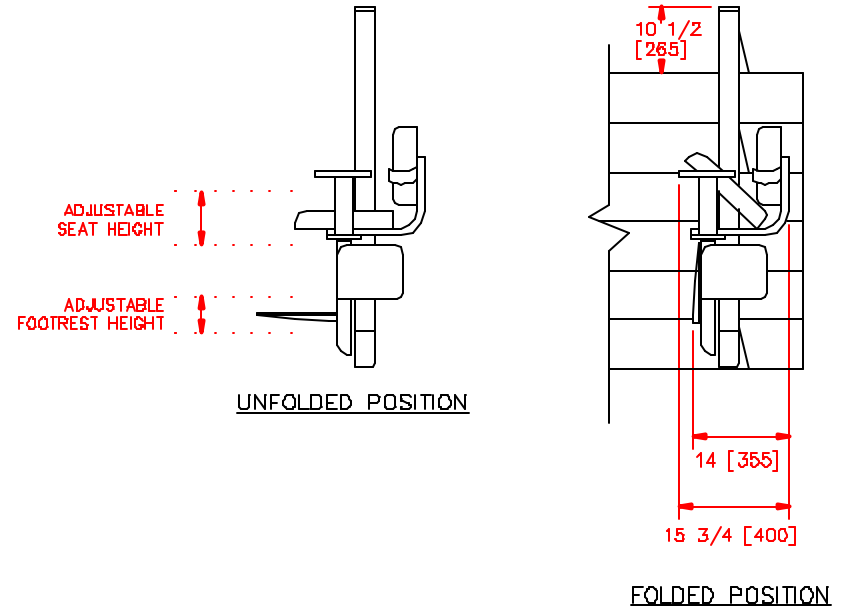
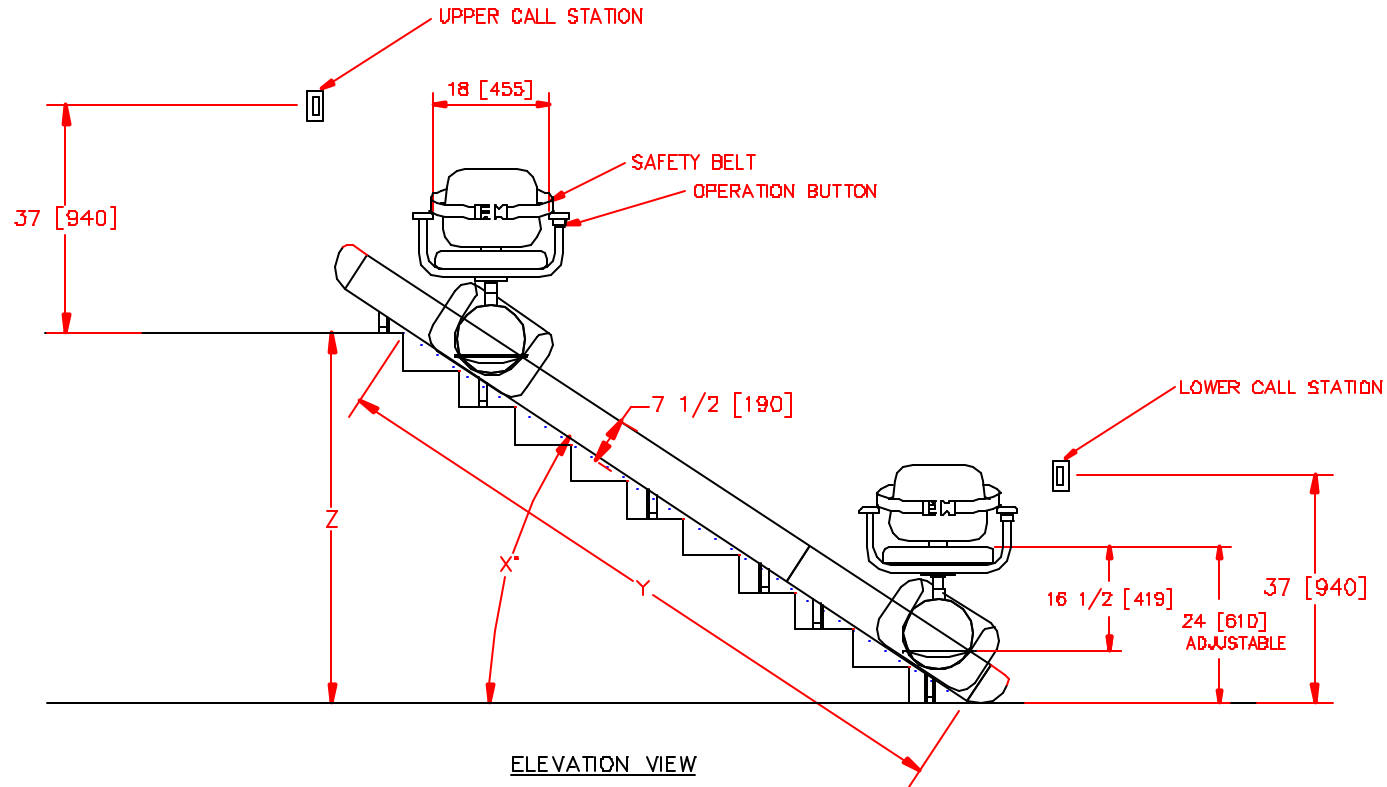


B-07 STAIRLIFT - RESIDENTIAL


DIMENSIONS ARE PROVIDED FOR REFERENCE PURPOSES ONLY



DIMENSIONS ARE IN INCHES [MM]

PROJECT	:	
INSTALLOR	:	
PRODUCT: SAVARIA B.07 RESIDENTIAL STAIRLIFT		
CAPACITY	:	300 Lb (136 kg)
ANGLE	:	X°
COLOR	:	"ALMOND" BEIGE
RAIL	:	ALUMINUM
CONTROLS	:	UP/DOWN
MAX. TRAVEL	:	32' [9754]
DRIVE SYSTEM	:	ROLLER CHAIN #40/SPROCKET
MOTOR	:	110 VDC
POWER	:	110 VAC/1 PH/60 HZ
SPEED	:	18 ft/min APPROX.

MODEL: B.07 QTY.:1

TOLERANCES IF NOT SPECIFIED				
DEC: ----	ANG: ----			
SCALE: ----	DRAWN BY: P. DANILIDIS	NO.	REVISIONS	DATE
MATERIAL: ----	DATE: 02/04/00	 SERVICES INDUSTRIELS SAVARIA INC.		
DRAWING # B07_SAMPLE	REV# PAGE: 1/1			