

ANCHOR POINTS

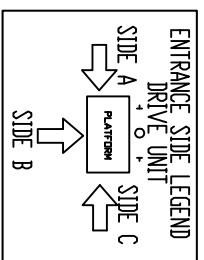
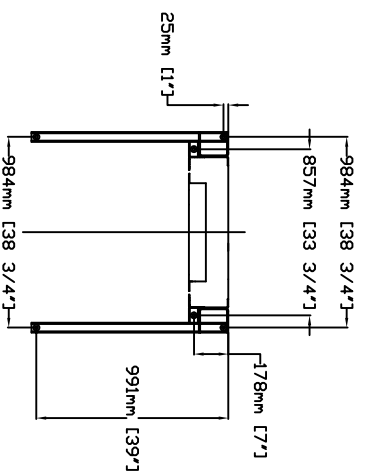
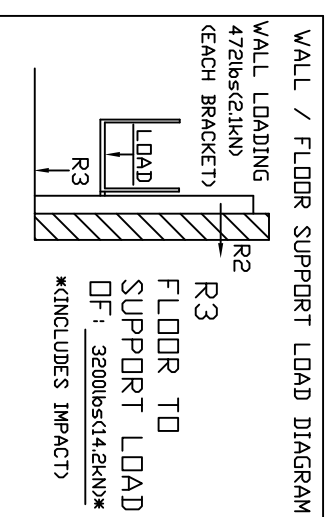


TABLE 1- MAST HEIGHT*

Max. Travel mm (Inches)	Extension Height mm (Inches)		Mast Height Approx with Gate with 4.188" CAP
1219 (48")	1		2748
1524 (60")	1		3053
1829 (72")	1	1	3662
2438 (96")	1	1	4272
2743 (108")	1	1	4272
3048 (120")	2		4882
3658 (144")	2	1	5440
4267 (168")	2	1	6050
4877 (192")	2	1	6660
5486 (216")	3		7269
6096 (240")	3	1	7828
6706 (264")	3	1	8438
7010 (276")	3	1	8692

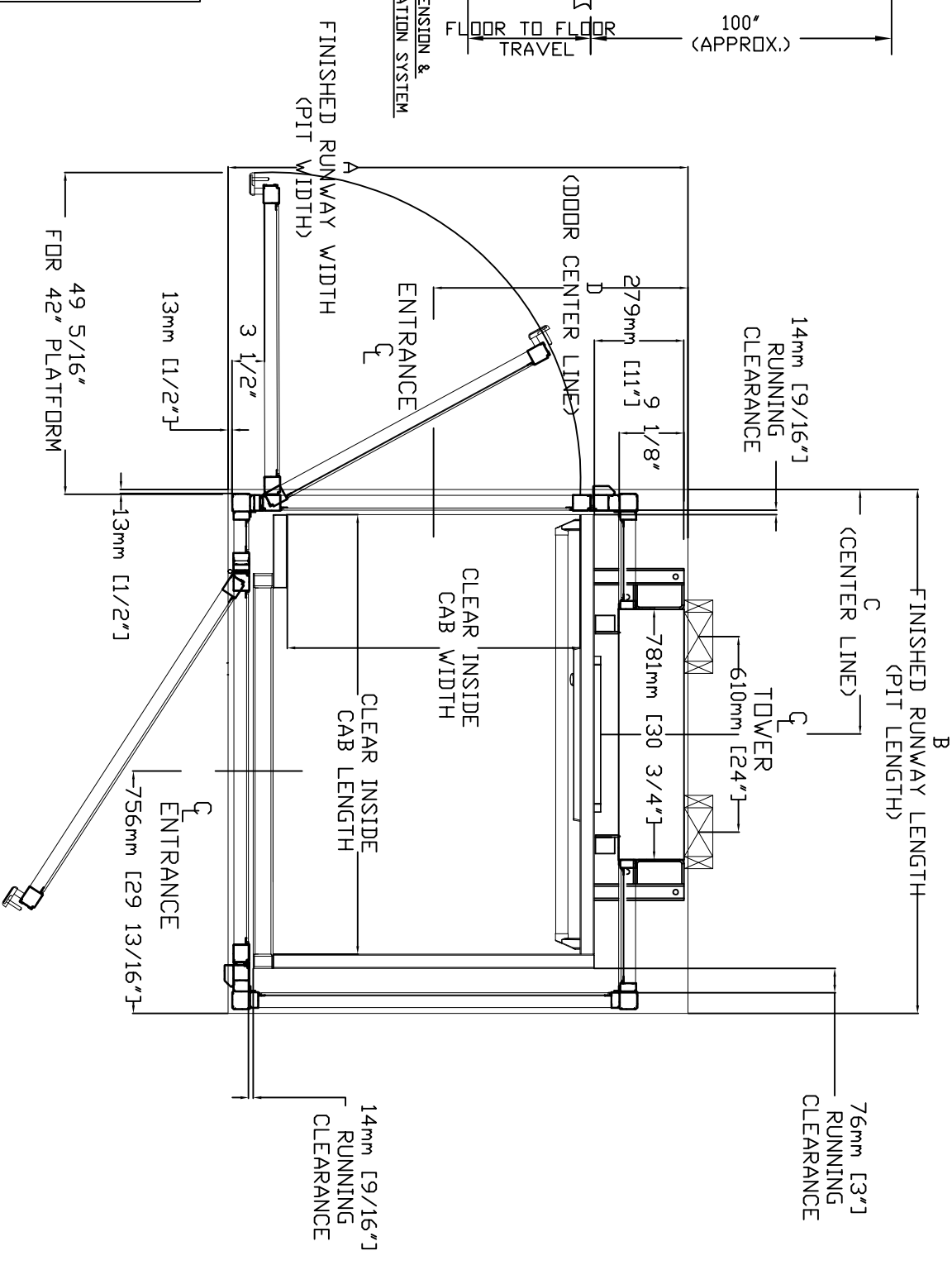
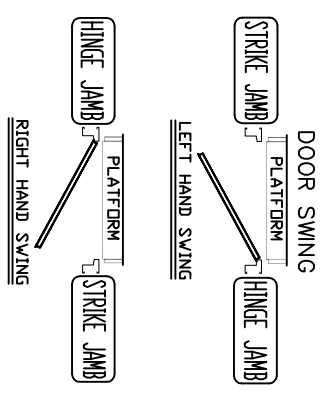
*EXAMPLE TABLE WITH 3' PIT, DIMENSIONS VARY WITH TRAVEL



FORCES

CLEAR INSIDE CAB WIDTH	CLEAR INSIDE CAB LENGTH	A		B		C		D			
		mm	Inches	mm	Inches	mm	Inches	mm	Inches		
914	36	1219	48	1437	56 9/16	1483	58 3/8	687	27 1/16	794	31 1/4
914	36	1372	54	1437	56 9/16	1635	64 3/8	764	30 1/16	794	31 1/4
914	36	1524	60	1437	56 9/16	1788	70 3/8	840	33 1/16	794	31 1/4
1067	42	1219	48	1589	62 9/16	1483	58 3/8	687	27 1/16	870	34 1/4
1067	42	1372	54	1589	62 9/16	1635	64 3/8	764	30 1/16	870	34 1/4
1067	42	1524	60	1589	62 9/16	1788	70 3/8	840	33 1/16	870	34 1/4

TABLE 2 - ENCLOSURE DIMENSION



THE INFORMATION DISCLOSED HEREIN IS THE EXCLUSIVE PROPERTY OF **savarria**™

AND MAY NOT BE USED BY OTHERS WITHOUT PRIOR WRITTEN CONSENT

TITLE: V1504 TYPE - 4 45 OPEN

PROJECT: LOCATION:

CUSTOMER:

DATE: 06/25/2010 REVISION: 001

SCALE: 1:1 04/25/2012

DRAFTER: PHILLIP TRAN SHEET 1 OF 1

DRAWING NO: V1504 PLUS ENCLOSURE