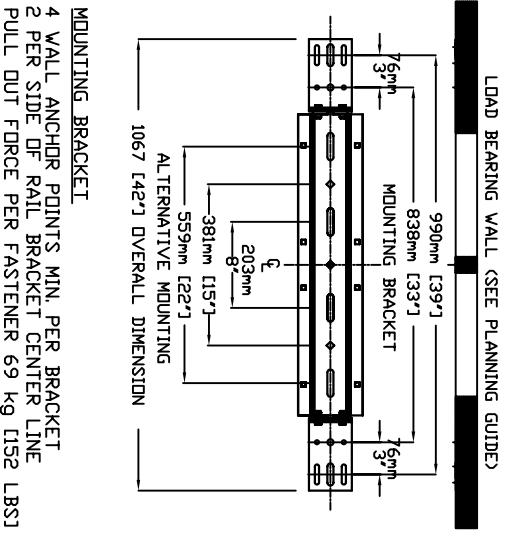
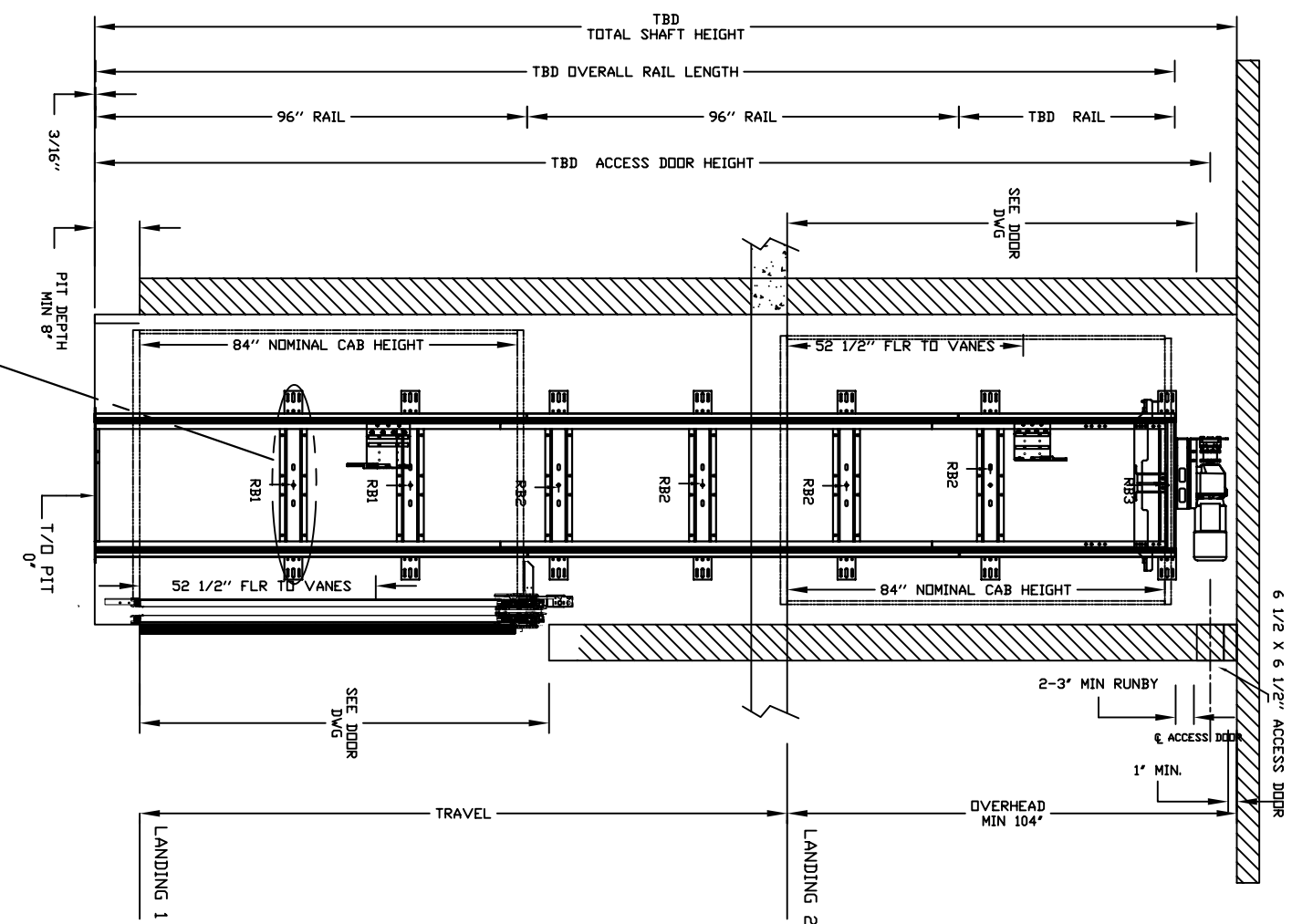


ECLIPSE AUTO SLIM DOORS Model TYPE 3

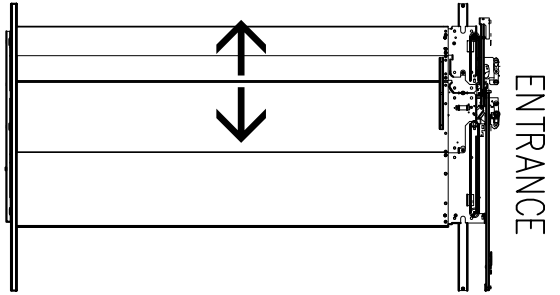


LOAD BEARING WALL (SEE PLANNING GUIDE)

FINAL RAIL BRACKET RB3	BELOW THE MOTOR CONSULT YOUR REPRESENTATIVE FOR EXACT LOCATION
INTERMEDIATE RAIL BRACKET RB2	32" [813mm] INTERVALS AFTER 2nd BOTTOM BRACKET
BOTTOM RAIL BRACKET RB1	39" [991mm] & 71" [1804mm] ABOVE PIT FLOOR

CANNOT HAVE HABITABLE SPACE BELOW PIT

RAIL FORCES	
*R1	*R2
1382 kg [304 lbf]	882 kg [194 lbf]
245 kg / m [54 lbs / ft]	194 kg / m [43 lbs / ft]
PIT FORCE: R3	
PIT FLOOR TO SUPPORT LOAD (INCLUDES IMPACT) 2909 kg [6400 lbf]	



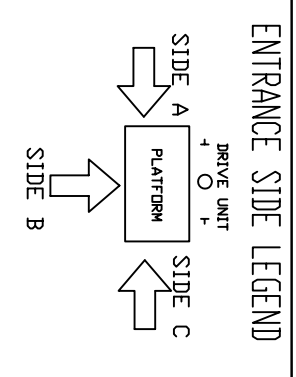
CHARACTERISTICS

- CAB DOOR TYPE: AUTO SLIM 2 SPEED DOORS
- ENTRANCE DOOR TYPE: AUTO SLIM 2 SPEED DOORS
- 2 SPEED DOORS FINISH: PAINT OR STAINLESS STEEL
- FULLY AUTOMATIC OPERATION TO OPEN THE DOORS UPON ARRIVAL AT THE LANDING LIGHTWEIGHT ALUMINIUM SILL
- EMERGENCY BACK-UP BATTERY SYSTEM
- INFRARED DETECTION SYSTEM TO RETRACT DOORS BEFORE HITTING AN OBSTRUCTION

CLEAR INSIDE CAB WIDTH	CLEAR INSIDE CAB LENGTH	A FINISHED RUNWAY WIDTH		B FINISHED RUNWAY LENGTH		C RAIL CENTER LINE		D DOOR CENTER LINE		E DOOR CENTER LINE	
		mm	Inches	mm	Inches	mm	Inches	mm	Inches	mm	Inches
914	36	1372	54	1540	60 5/8	1702	67	838	33	838	33
914	36	1524	60	1540	60 5/8	1854	73	914	36	838	33
1016	40	1372	54	1581	62 1/4	1702	67	838	33	883	34 3/4
											1064
											1216
											47 7/8
											41 7/8

DOCUMENT REVISION 001, DATE: 11/18/10

RESIDENTIAL ELEVATOR ECLIPSE SLIMS DOORS TYPE 3



ALL INFORMATION IS SUBJECT TO CHANGE. PLEASE REFERENCE OUR ON-LINE DRAWINGS AT www.savaria.com FOR THE MOST RECENT UPDATES.

THE INFORMATION DISCLOSED HEREIN IS THE EXCLUSIVE PROPERTY OF **savaria**

SHEET# 1/1