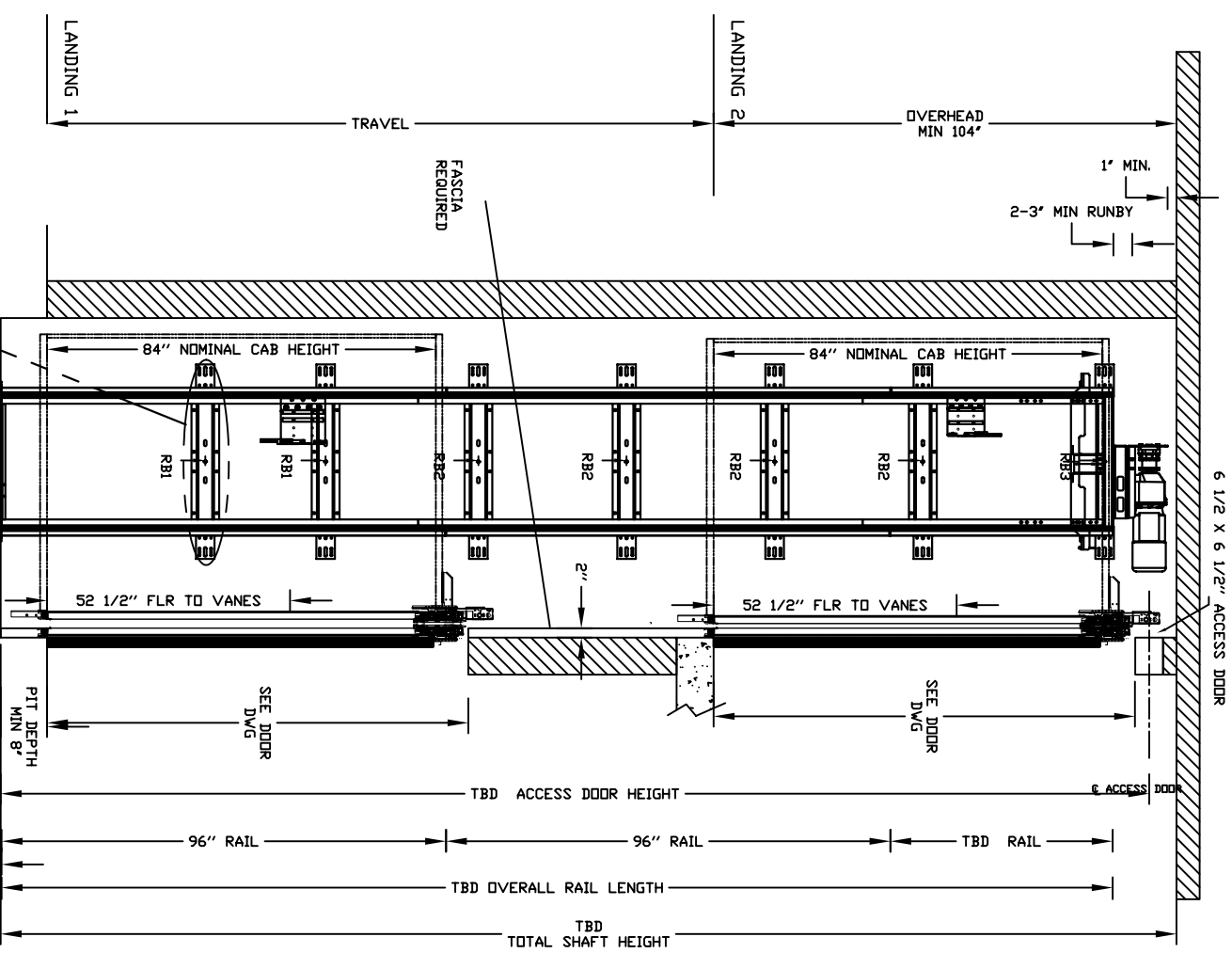
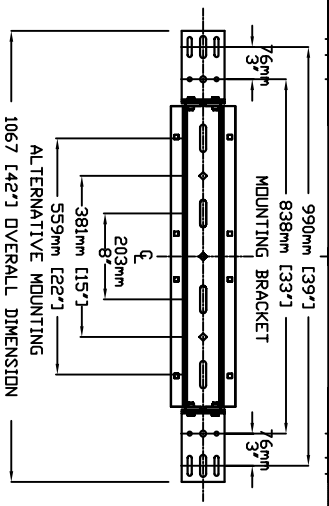


ECLIPSE AUTO SLIM DOORS Model TYPE 1R

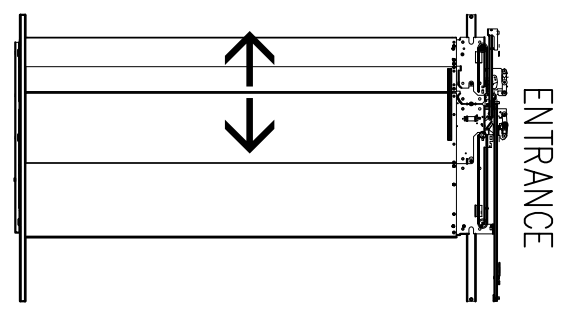


6 1/2" x 6 1/2" ACCESS DOOR

LOAD BEARING WALL (SEE PLANNING GUIDE)



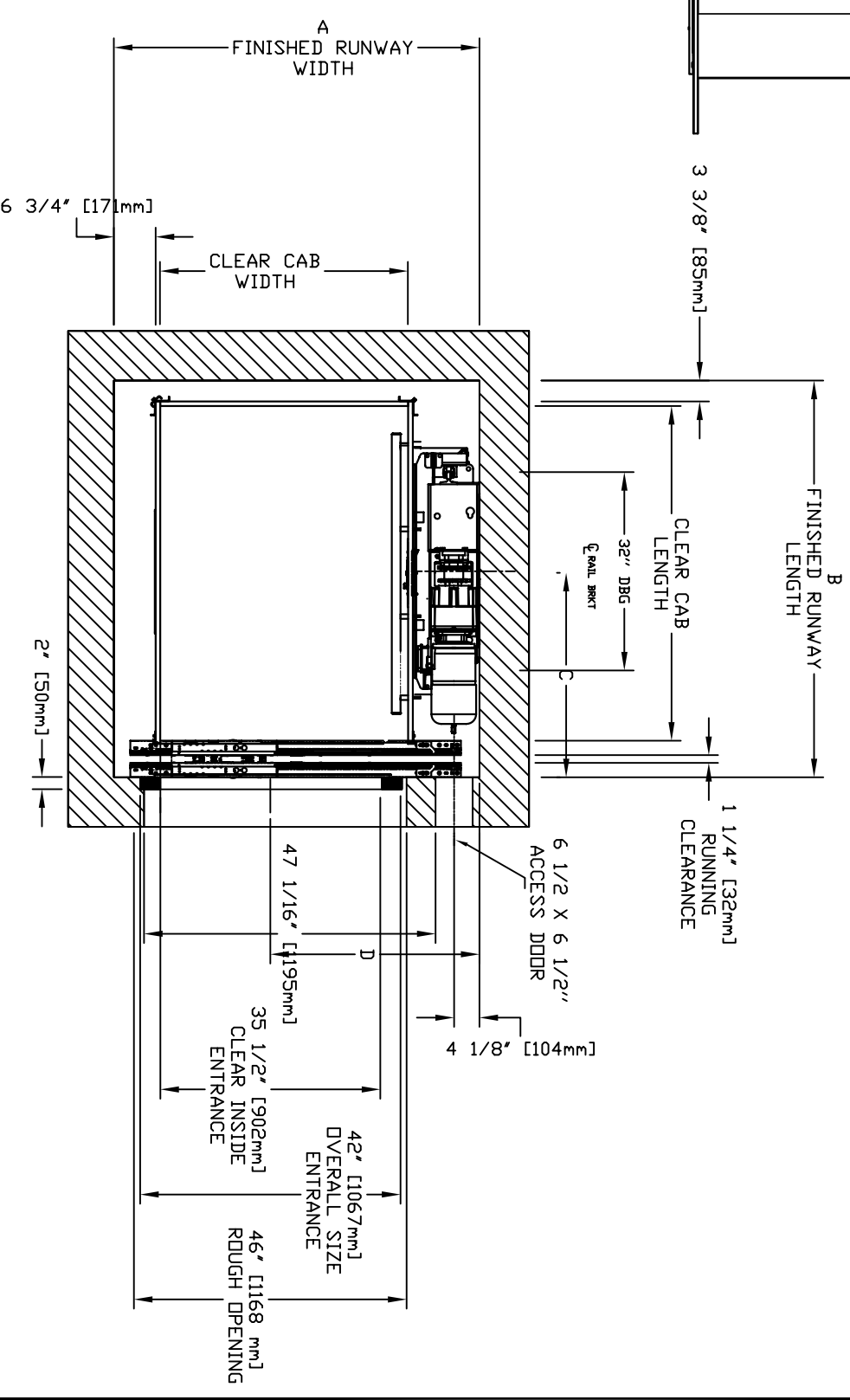
MOUNTING BRACKET
 4 WALL ANCHOR POINTS MIN. PER BRACKET
 2 PER SIDE OF RAIL BRACKET CENTER LINE
 PULL OUT FORCE PER FASTENER 69 KG [152 LBS]



ENTRANCE

CHARACTERISTICS

- CAB DOOR TYPE: AUTO SLIM 2 SPEED DOORS
- ENTRANCE DOOR TYPE: AUTO SLIM 2 SPEED DOORS
- 2 SPEED DOORS FINISH: PAINT OR STAINLESS STEEL
- FULLY AUTOMATIC OPERATION TO OPEN THE DOORS UPON ARRIVAL AT THE LANDING
- LIGHTWEIGHT ALUMINUM SILL
- EMERGENCY BACK-UP BATTERY SYSTEM
- INFRARED DETECTION SYSTEM TO RETRACT DOORS BEFORE HITTING AN OBSTRUCTION



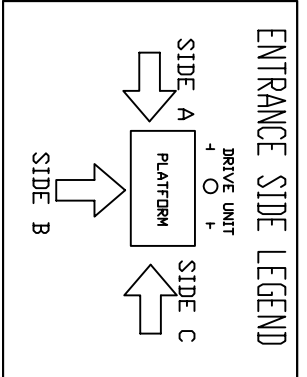
CANNOT HAVE HABITABLE SPACE BELOW PIT

CLEAR INSIDE CAB WIDTH	CLEAR INSIDE CAB LENGTH	A		B		C		D			
		mm	Inches	mm	Inches	mm	Inches	mm	Inches		
914	36	1219	48	1499	59	1473	58	794	31 1/4	838	33
914	36	1372	54	1499	59	1626	64	845	33 1/4	838	33
914	36	1524	60	1499	59	1778	70	921	36 1/4	838	33
1016	40	1372	54	1524	60	1626	64	845	33 1/4	883	34 3/4

DOCUMENT REVISION 001, DATE: 11/18/10

RESIDENTIAL ELEVATOR ECLIPSE SLIMS DOORS TYPE 1R

RAIL FORCES	
*R1	*R2
138.2 KG [304. lbf]	88.2 KG [194. lbf]
RAIL ASSY WEIGHT: 180 lbs / ft	24.5 kg / m
PIT FLOOR TO SUPPORT LOAD (INCLUDES IMPACT) 2909 KG [6400 lbs]	



ALL INFORMATION IS SUBJECT TO CHANGE. PLEASE REFERENCE OUR ON-LINE DRAWINGS AT WWW.SAVARIA.COM FOR THE MOST RECENT UPDATES

