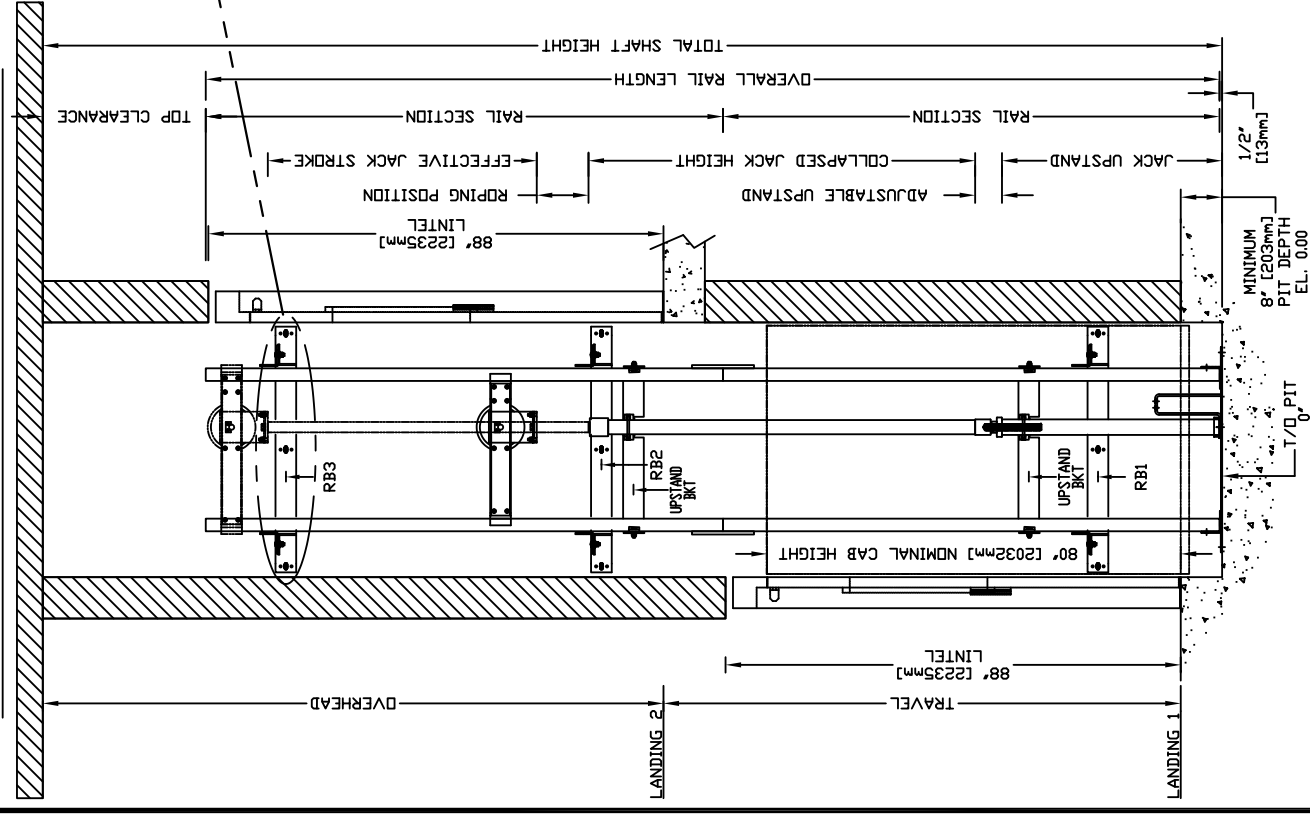


SECTIONAL VIEW - INFINITY Model 3660 TYPE 2



FLOOR No.	FLOOR HEIGHT
REAR FRONT	
TOTAL RISE	

PIT / OVERHEAD REQUIREMENTS		
MAX. SPEED (ft/min)	MIN. PIT	TOTAL MINIMUM TRAVEL OVERHEAD
36	8" ***	92" (2337)

\*\*\* NOTE: Additional pit equipment required when over 36" [914.4mm] deep, consult your local dealer for details

DOCUMENT REVISION 002, DATE: 04/26/07

PROVISIONS BY OTHERS

**\*GENERAL**  
**HOISTWAY**- THE HOISTWAY MUST BE IN ACCORDANCE WITH B355 'SAFETY CODE FOR ELEVATORS' (B44 SECTION 5.3), 'SAFETY CODE FOR ELEVATORS AND ESCALATORS' (ASME A17.1) AND ALL STATE/PROVINCIAL AND LOCAL CODES.  
**PLUMB HOISTWAY**- DUE TO CLOSE RUNNING CLEARANCES OWNER/AGENT MUST ENSURE THAT HOISTWAY AND PIT (WHERE PROVIDED) ARE LEVEL, PLUMB AND SQUARE AND ARE IN ACCORDANCE WITH THE DIMENSIONS ON THESE DRAWINGS.  
**MINIMUM OVERHEAD CLEARANCE**- OWNER/AGENT MUST ENSURE MINIMUM OVERHEAD CLEARANCE IS IN COMPLIANCE WITH CODES.

**CONSTRUCTION SITE**- OWNER/AGENT TO PROVIDE ALL MASONRY, CARPENTRY AND DRYWALL WORK AS REQUIRED AND SHALL PATCH AND MAKE GOOD (INCLUDING FINISH PAINTING) ALL AREAS WHERE WALLS/FLOORS MAY REQUIRE TO BE CUT, DRILLED OR ALTERED IN ANY WAY TO PERMIT THE PROPER INSTALLATION OF THE LIFT.  
**DIMENSIONS**  
 CONTRACTOR/CUSTOMER TO VERIFY ALL DIMENSIONS AND REPORT ANY DISCREPANCIES TO OUR OFFICE IMMEDIATELY.  
**\*STRUCTURAL**  
 FLOOR/SUPPORT WALL LOADS- STRUCTURAL ENGINEER TO ASSURE THAT BUILDING AND SHAFT WILL SAFELY SUPPORT ALL LOADS IMPOSED BY THE LIFT EQUIPMENT. REFER TO THE TABLES ON THIS DRAWING FOR LOADS IMPOSED BY THE EQUIPMENT.  
**WHERE DOORS ARE REQUIRED**- SUITABLE LINEELS MUST BE PROVIDED BY OWNER/AGENT. DOOR FRAMES ARE NOT DESIGNED TO SUPPORT OVERHEAD WALL LOADS.  
**\*MACHINE ROOM**  
 LOCATION / ACCESS- MACHINE ROOM LOCATED AT THE LOWEST LEVEL ADJACENT TO HOISTWAY, UNLESS SHOWN OTHERWISE ON THE LAYOUT DRAWINGS. FIELD ADJUSTMENT BY INSTALLER MAY BE NECESSARY TO MEET JOB SITE CONDITIONS OR REGULATIONS. ACCESS TO MACHINE ROOM TO BE THROUGH A SELF CLOSING LOCKING DOOR.  
**SLEEVES FOR OIL & ELECTRIC LINES**- FROM MACHINE ROOM TO RUNWAY AS REQUIRED. (POSITION PER INSTALLERS INSTRUCTIONS).

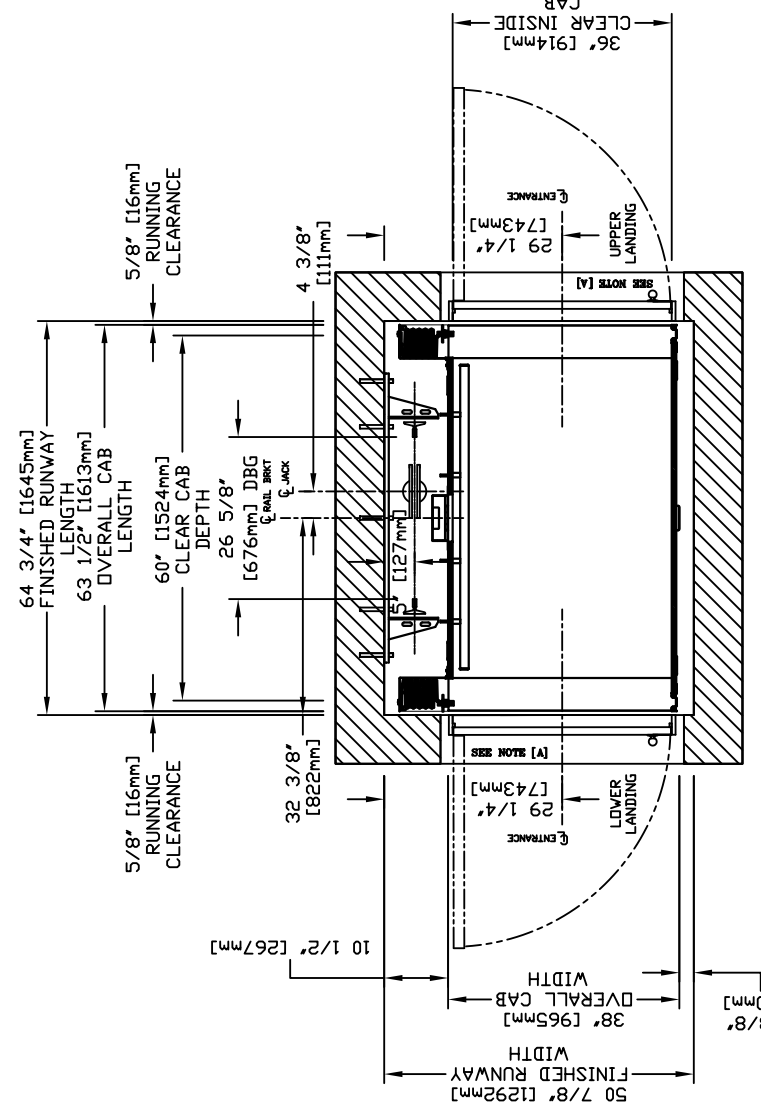
**\*ELECTRICAL**  
 POWER SUPPLY- (SEE SPECIFICATIONS) LOCKABLE FUSED DISCONNECT WITH AUXILIARY CONTACT TO BREAK THE BATTERY FEED, OR CIRCUIT BREAKERS WITH A 3-POLE BREAKER FOR BATTERY FEED REQUIRED, IN COMPLIANCE WITH ELECTRICAL CODE, AS FOLLOWS:  
 (LOCATED ON WALL ON LOCK JAMB SIDE OF MACHINE ROOM DOOR)  
 PERMANENT POWER- BEFORE INSTALLATION CAN BEGIN, PERMANENT POWER MUST BE SUPPLIED.  
 LIGHTING- OWNER/AGENT TO ENSURE AT LEAST 5 FTC OR 54 LUX AMBIENT LIGHTING OVER LIFT AREA.  
**\*ENTRANCES**  
 FASCIA PANEL BELOW UPPER LEVEL ENTRANCE- WHERE REQUIRED, FASCIA PANEL MUST BE FASTENED TO A SOLID WALL AND BE PERPENDICULAR TO THE FLOOR AND WALLS. HOISTWAY FASCIA IS NOT SELF-SUPPORTING FOR LONG, CONTINUOUS RUNS VOID OF ENTRANCES. ADEQUATE SUPPORT FOR THE FASCIA MUST BE PROVIDED.  
 ENTRANCE ASSEMBLIES- ENTRANCE ASSEMBLIES MUST BE ADJUSTED TO ALIGN WITH PLATFORM AND INTERLOCK EQUIPMENT. OTHERS TO ALLOW AN ADEQUATE ROUGH OPENING.  
 RETURN WALLS- RETURN WALLS AT ENTRANCES MUST BE BUILT-IN BY OTHERS AFTER ENTRANCE ASSEMBLIES ARE IN PLACE. ENTRANCE ASSEMBLY MUST BE SECURELY FASTENED TO WALLS BY ELEVATOR CONTRACTOR.

**NOTE B**  
 ALL INFORMATION IS SUBJECT TO CHANGE.  
 PLEASE REFERENCE OUR ON-LINE DRAWINGS AT [www.concordlevators.com](http://www.concordlevators.com) FOR THE MOST RECENT UPDATES

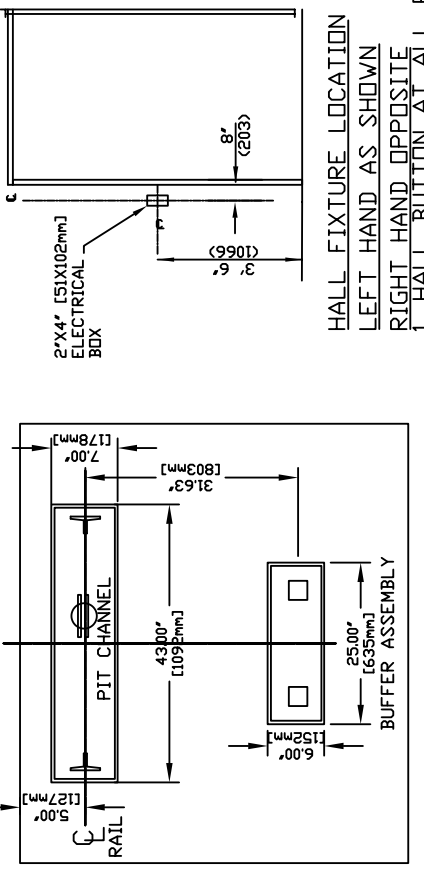
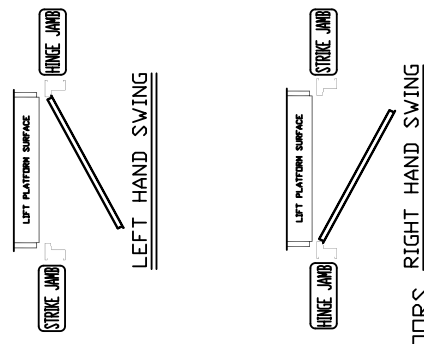
RAIL FORCES		R3 NOTE:	
*R1	304lbf.	PIT FLOOR TO SUPPORT LOAD OF: 5.6klps * (INCLUDES IMPACT)	
*R2	194lbf.	FOR TOTAL PULL-OUT FORCE ON RAIL BRACKET, R1 MUST BE DOUBLED eg.	
RAIL WEIGHT : 8.0 lbs / ft			



PLAN VIEW - INFINITY Model 3660 TYPE 2



**NOTE [A]:** PER ASME A17.1 AND CAN/CSA B44 RULE 5.3.1.7.2 THE CLEARANCE BETWEEN THE HOISTWAY DOORS OR GATES AND THE HOISTWAY EDGE OF THE LANDING SILL SHALL NOT EXCEED 3 in. (75 mm). THE DISTANCE BETWEEN THE HOISTWAY FACE OF THE LANDING DOOR OR GATE AND THE CAR DOOR OR GATE SHALL NOT EXCEED 5 in. (125 mm).



MOTOR INFO	INPUT VOLTAGE (V/PH/CYCLE)	DISCONNECT SIZE (AMPS)	TIME DELAY (SECS)	FUSE (AMPS)	FULL LOAD CURRENT (AMPS)
		30	20	30	10.6
		60	30	60	17.0
CAB LIGHTS	115/1PH		15		

RESIDENTIAL ELEVATOR  
 INFINITY MODEL 3660 TYPE 2

CUSTOMER: \_\_\_\_\_  
 PROJECT: \_\_\_\_\_  
 LOCATION: \_\_\_\_\_

DATE: \_\_\_\_\_  
 REASON DATE: \_\_\_\_\_  
 COMPLETED BY: \_\_\_\_\_

**SAVARIA CONCORD**  
 Your Accessibility Partners