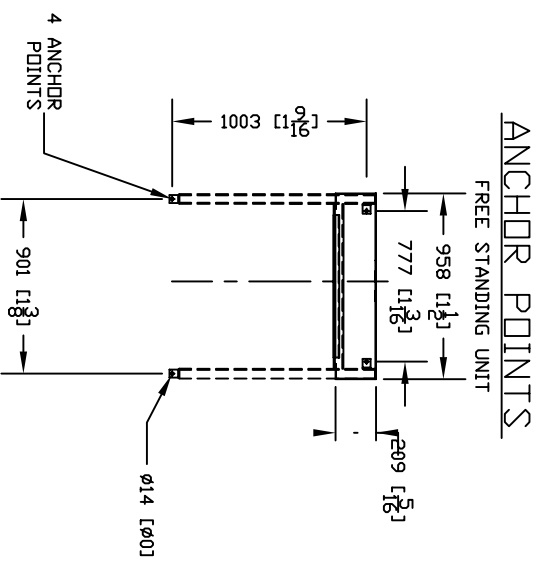


TABLE 1 - MAST HEIGHT

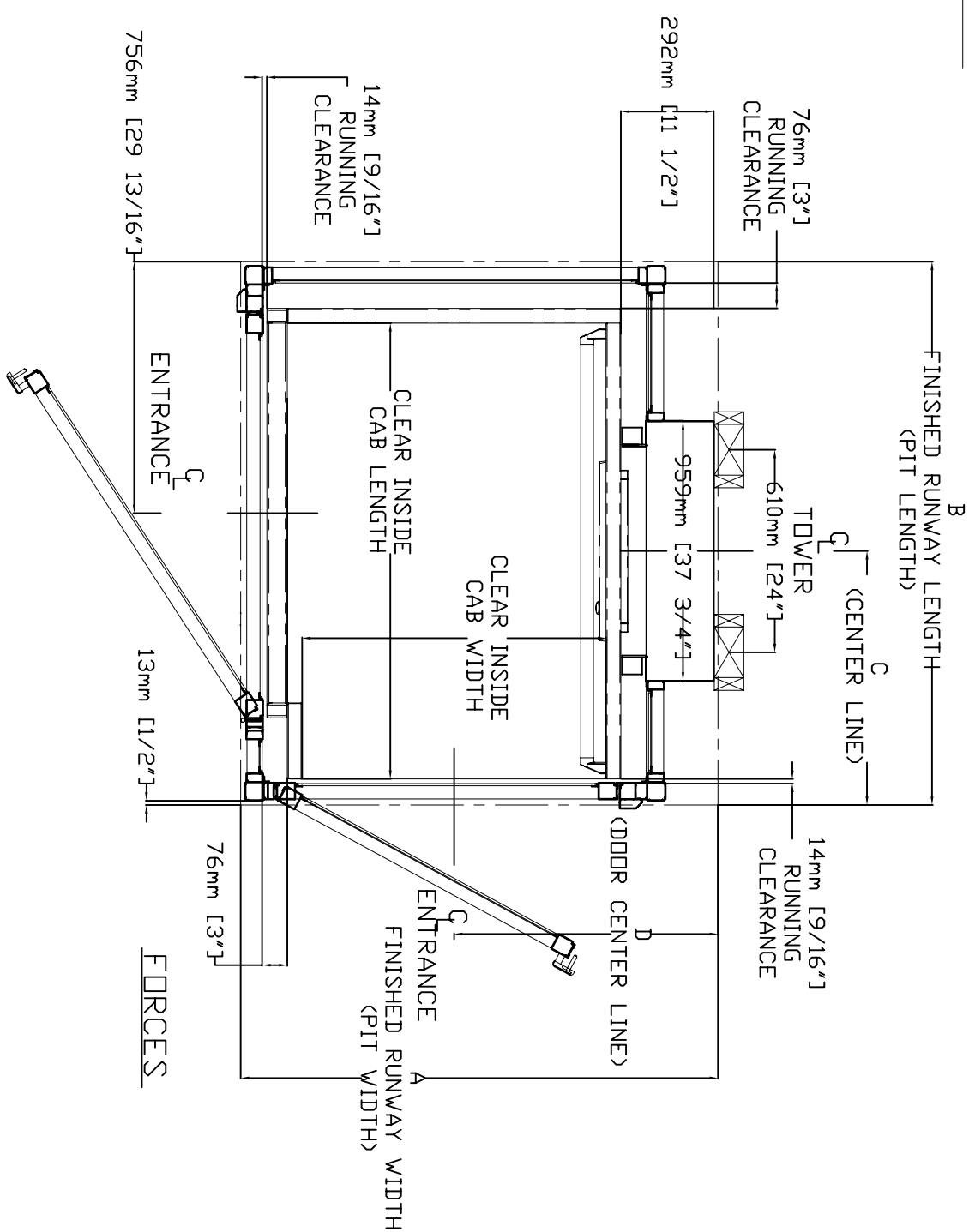
TRAVEL mm (Inches)	TOWER HEIGHT mm Inches	MIN ENCLOSURE HEIGHT mm Inches
1219 (48")	2032 80	2286 90
1829 (72")	2642 104	2896 114



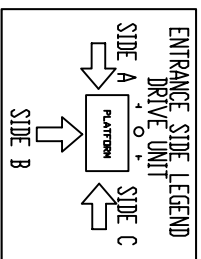
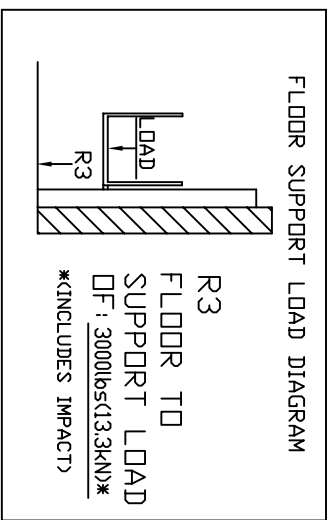
ANCHOR POINTS

TABLE 2 - ENCLOSURE DIMENSION

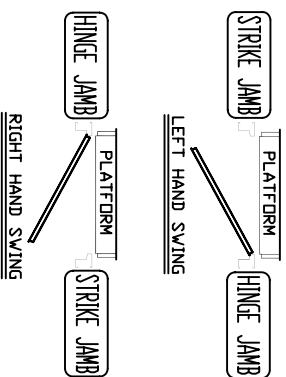
CLEAR INSIDE CAB WIDTH	CLEAR INSIDE CAB LENGTH	A		B		C		D	
		mm	Inches	mm	Inches	mm	Inches	mm	Inches
914	48	1449	57 1/16	1483	58 3/8	687	27 1/16	806	31 3/4
914	54	1449	57 1/16	1635	64 3/8	764	30 1/16	806	31 3/4
914	60	1524	60	1788	70 3/8	840	33 1/16	806	31 3/4



FORCES



DOOR SWING



THE INFORMATION DISCLOSED HEREIN IS THE EXCLUSIVE PROPERTY OF **savarida™** AND MAY NOT BE USED BY OTHERS WITHOUT PRIOR WRITTEN CONSENT.

CUSTOMER:

PROJECT:

LOCATION:

DATE: 11/22/2011 **REVISION:** 000

SCALE: 1:1 **DATE:** 11/22/2011

DRAFTER: PHILIP TRAN **SHEET 1 OF 1**

DRAWING NO: MULTILIFT PLUS ENCLOSURE

TITLE: MULTILIFT TYPE - 3 45 OPEN