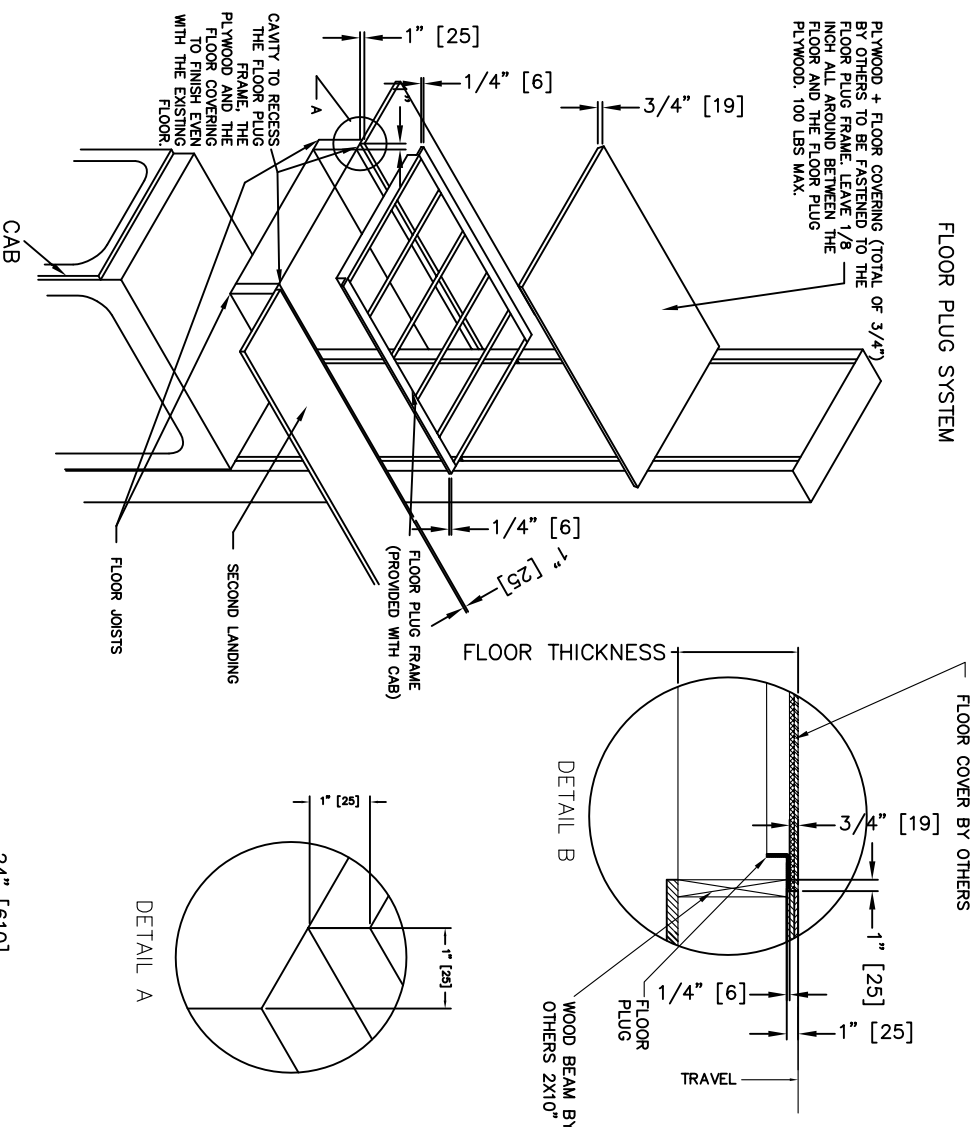


TELECAB



FLOOR PLUG SYSTEM

FLOOR COVER BY OTHERS

PLYWOOD + FLOOR COVERING (TOTAL OF 3/4") BY OTHERS TO BE FASTENED TO THE FLOOR PLUG FRAME. LEAVE 1/8" GAP ALL AROUND BETWEEN THE FLOOR AND THE FLOOR PLUG PLYWOOD. 100 LBS MAX.

PROVISIONS BY OTHERS

GENERAL

HOSTWAY - THE HOSTWAY MUST BE DESIGNED AND BUILT IN ACCORDANCE WITH "SAFETY STANDARD FOR PLATFORM LIFTS AND STAIRWAY CHARLIFTS" OR "SAFETY CODE FOR ELEVATORS AND ESCALATORS" AND ALL STATE/PROVINCIALS AND LOCAL CODES.

PLUMB RUNWAY - DUE TO CLOSE RUNNING CLEARANCES OWNER/AGENT MUST ENSURE THAT HOSTWAY AND PIT (WHERE PROVIDED) ARE LEVEL. PLUMB (-/+ 1/8" (3 mm)) AND SQUARE AND ARE IN ACCORDANCE WITH THE DIMENSIONS ON THESE DRAWINGS.

MINIMUM OVERHEAD CLEARANCE - OWNER/AGENT MUST ENSURE MINIMUM OVERHEAD CLEARANCE IS IN COMPLIANCE WITH CODES.

CONSTRUCTION SITE - OWNER/AGENT TO PROVIDE ALL MASONRY, CARPENTRY AND DRYWALL WORK AS REQUIRED AND SHALL PATCH AND MAKE GOOD (INCLUDING FINISH PAINTING) ALL AREAS WHERE WALLS/FLOORS MAY REQUIRE TO BE CUT, DRILLED OR ALTERED IN ANY WAY TO PERMIT THE PROPER INSTALLATION OF THE LIFT.

DIMENSIONS - CONTRACTOR/CUSTOMER TO VERIFY ALL DIMENSIONS AND REPORT ANY DISCREPANCIES TO OUR OFFICE IMMEDIATELY.

STRUCTURAL

FLOOR/SUPPORT WALL LOADS - STRUCTURAL ENGINEER TO ASSURE THAT BUILDING AND SHAFT WILL SAFELY SUPPORT ALL LOADS IMPOSED BY THE LIFT EQUIPMENT. REFER TO THE LOAD DIAGRAM ON THIS DRAWING.

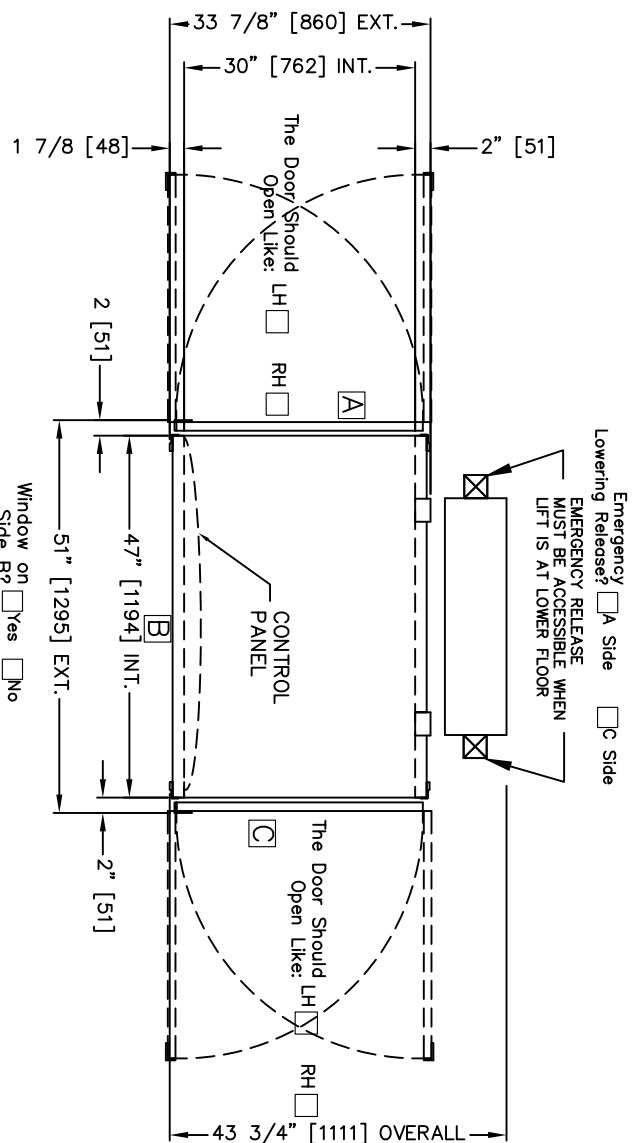
MAST TO BE SECURELY FASTENED - WHERE REQUIRED THE MAST MUST BE SECURELY FASTENED TO THE STRUCTURAL SUPPORT WALL. REFER TO WALL / FLOOR SUPPORT LOAD DIAGRAM AND WALL LAG DIMENSIONS ON THIS DRAWING.

ELECTRICAL

GENERAL - ELECTRICAL EQUIPMENT AND WIRING TO COMPLY WITH SECTION 38 OF CSA C22.1 (CANADA) OR SECTION 620 OF NEC ANS/NFPA 70 (USA).

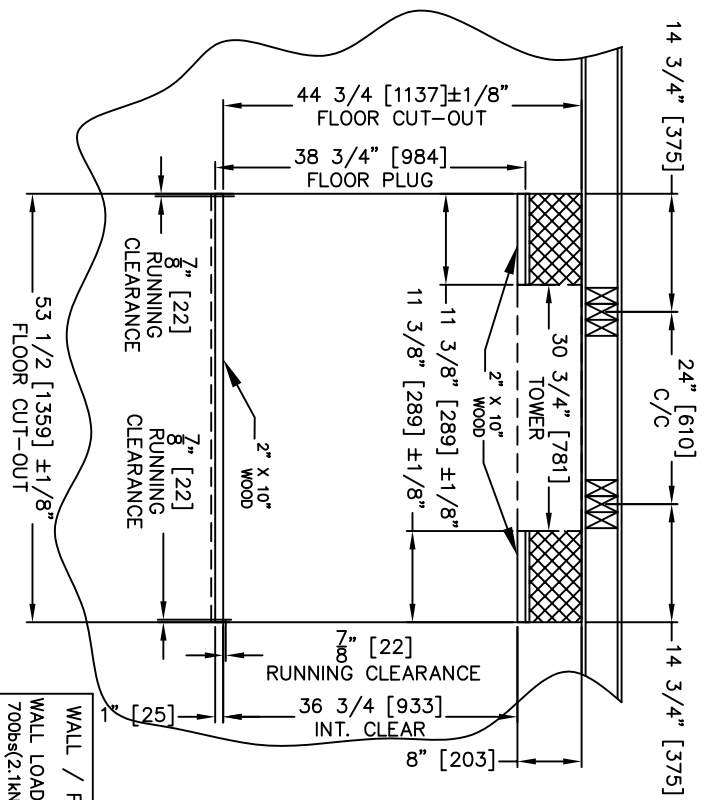
POWER SUPPLY - 120VAC, 20A, 60HZ, 1PH CIRCUIT THROUGH A FUSE DISCONNECT WITH AUXILIARY CONTACT ON MAIN POWER SUPPLY. PROVIDE TWO 18 AWG CONDUCTORS BETWEEN CONTACT AND CONTROLLER.

LIGHTING - LIGHTING OF 100 LX MIN. AT PLATFORM AND LANDINGS. LIGHTING WITH SWITCH AND ELECTRICAL GFCI OUTLET IN HOSTWAY PIT.

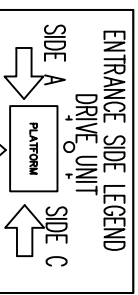
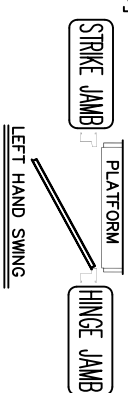


TOP VIEW TYPE-2

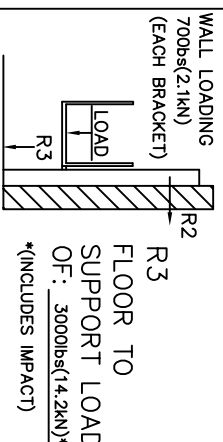
FLOOR CUT-OUT VIEW TYPE-2



DOOR SWING



WALL / FLOOR SUPPORT LOAD DIAGRAM



FORCES

CLASSIFICATION	RESIDENTIAL BUILDING
TELECAB USABLE DIM.	30" x 47" x 78"
TELECAB CAPACITY	500 LBS [227 KG]
COLOR (URETHANE FINISH)	<input type="checkbox"/> WHITE <input type="checkbox"/> BEIGE
PLEXIGLASS TINT	<input type="checkbox"/> BRONZE <input type="checkbox"/> CLEAR
CAB DOOR OPERATION	<input type="checkbox"/> MANUAL <input type="checkbox"/> HYDRAULIC DOOR CLOSER
POWER	<input type="checkbox"/> POWER OPERATED
	<input type="checkbox"/> 110 VAC + 12 VDC DOWN STD
	<input type="checkbox"/> 12 VDC UP + DOWN
	<input type="checkbox"/> 220 VAC/50 HZ
HALL STATION	<input type="checkbox"/> SURFACE MOUNTED <input type="checkbox"/> FLUSH MOUNTED
BEARING WALL	<input type="checkbox"/> WOOD <input type="checkbox"/> CONCRETE
LEVEL SERVED	<input type="checkbox"/> 2 LEVELS
NUMBER OF OPENING(S)	<input type="checkbox"/> 1 OPENING
MAX. WORKING PRESSURE	2000 PSI
RELIEF PRESSURE	WP-x125% MAX
DRIVE SYSTEM	1 TO 2 CHAIN HYDRAULIC
CHAIN	#50, QTY: 2
CONTROLLER	RELAY LOGIC
OPERATION	CONSTANT PRESSURE, ANTI-CREEP FEATURE
FLOOR PLUG	PROVIDED

SAFETY FEATURES

- 1) CSA CERTIFIED WR500 LOCK
- 2) UNDER PANEL SAFETY SENSOR
- 3) EMERGENCY STOP AND ALARM
- 4) EMERGENCY BATTERY LOWERING
- 5) EMERGENCY LOWERING
- 6) FULLY ENCLOSED DRIVE TOWER
- 7) PRESSURE RELIEF VALVE TO PREVENT PLATFORM OVERLOAD
- 8) SLACK CHAIN SAFETY DEVICE
- 9) TELEPHONE IN CAB
- 10) HALOGEN LIGHT IN CAB
- 11) NEGATIVE PRESSURE SWITCH

CODE

THIS LIFT IS DESIGNED, MANUFACTURED AND INSTALLED IN ACCORDANCE WITH THE FOLLOWING STANDARDS: ASME A17.1 PART V 2007-08, CSA B44 2007-08, NEC AND IBC. SAVARIA'S RESPONSIBILITY IS LIMITED TO THE DESIGN AND MANUFACTURING REQUIREMENTS OF THESE CODES AND EXCLUDES REQUIREMENTS RELEVANT TO THE INSTALLATION AND INSTALLATION SITE.

CUSTOMER :	
PROJECT :	
DATE :	
PROJECTION	TOLERANCES IF NOT SPECIFIED
SCALE:	FRAC: ±1/8" [3]
DATE:	
DRAWING #	REV#
PAGE:	TITRE:

